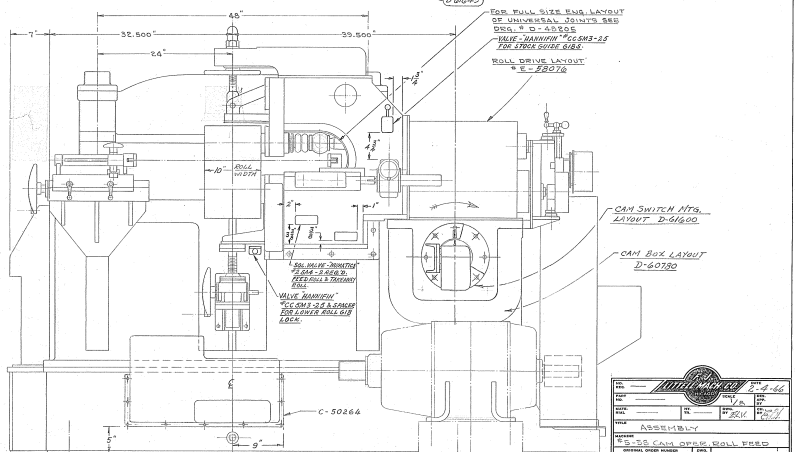
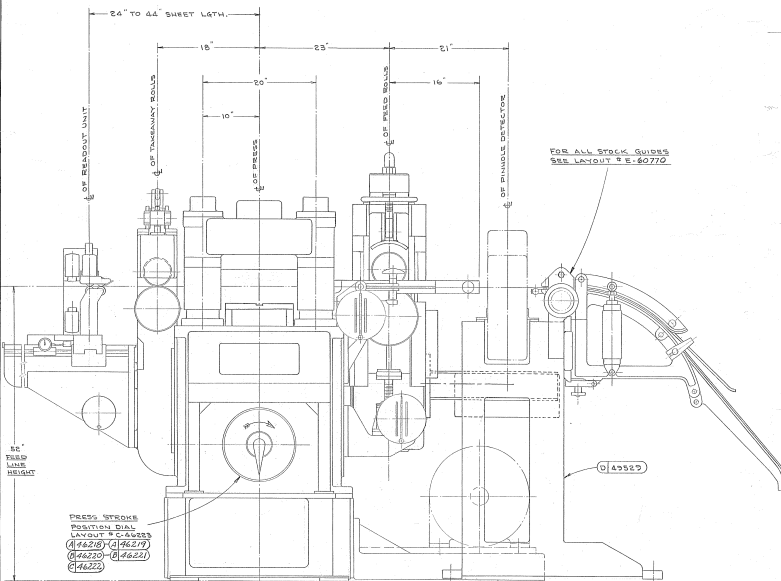


- (1) 8054.0
  - (1) 222.7
  - (1) 463.3
- LAMP "DUPREY" MODEL # 1511101 WITH # 7-ADV-TS WHITE SH/B



MICROFILM  
**WILMINGTON** F-9-46  
 SHEET NO. **1** OF **1**  
 DATE **12-20-71**  
 BY **WJ**  
 CHECKED **WJ**  
 ASSEMBLY  
 #35 CAM OPER. ROLL FEED  
 SHEET NO. **D 60790**  
**14300-67**