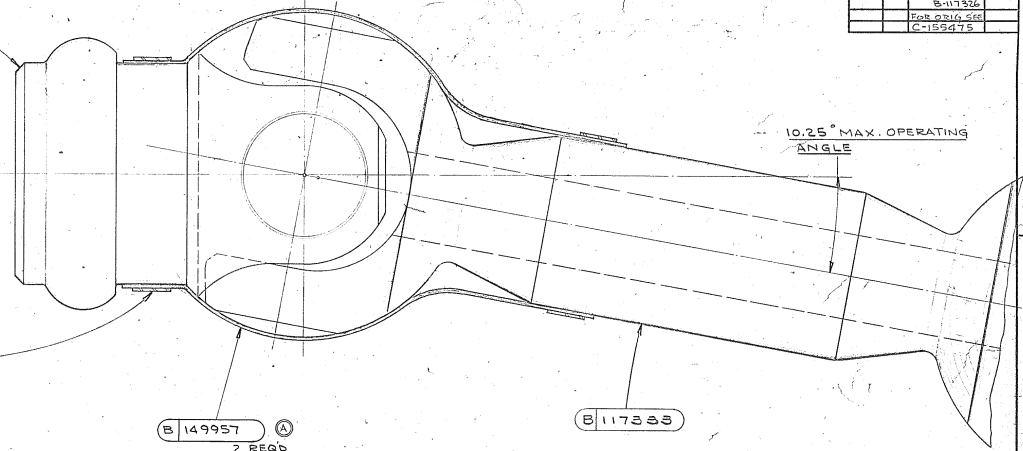


FILE LOC.		C-117330	
REVISIONS			
DATE	BY	WAR	BY
5-18-61	A	Dr. B. W. 11330	SC/7
		B-117330	
		FOR DRUG SEC.	
		C-155475	

B 117332
(2) REQ'D

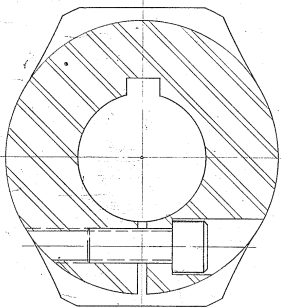


CLAMP - BREEZE CORP.
#QS-500M-545 STD.
AERO. SEAL 2.06" TO 3.00"
2 REQ'D PER END
LITTELL PT. # K-093584

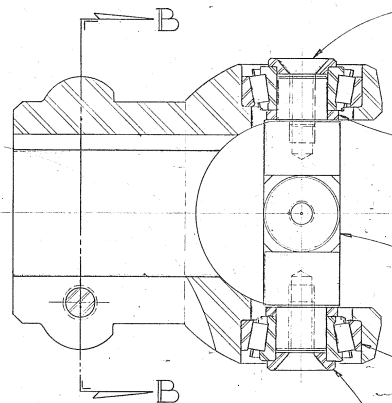
B 149957 (A)
2 REQ'D

B 117333

10.25° MAX. OPERATING ANGLE



SECTION B-B



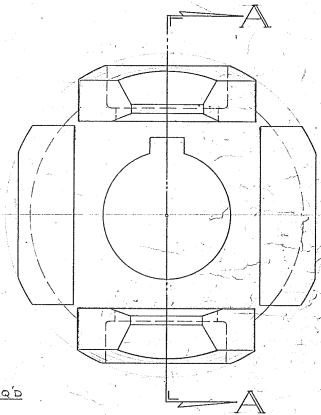
SECTION AA

SCREW - FLAT HD. SOC. CAP
3/16" x 1.00" LG. WITH
"NYLOCK" INSERT. (8) REQ'D

A 117331
(8) REQ'D

B 117329
(2) REQ'D

BRG. - ROLLER-TIMKEN
#LM 11910-LM11949 (8) REQ'D
091258



A 117334
(8) REQ'D

OBSOLETE!
FOR REPAIRS ONLY.
FUTURE JOBS USE C-155475
SC/4/ 11-16-82

BOTH ENDS TO BE IDENTICAL

UNLESS OTHERWISE SPECIFIED FINISHED SURFACES HAVE:		DATE	
125 MICRONICH FINISH		7-16-74	
DIMENSIONS	TOLENANCE	SCALE	FULL
X AND XX	0.1"		
XXX	0.01"		
XXXX	0.001"		
XXXXX	0.0005"		
TECHNICAL		ORIGINAL ORDER NUMBER	
BR-4 PRESS		C 117330	
BREAK SHARP CORNERS 0.03 UNLESS OTHERWISE SPECIFIED		77571472	C 117330