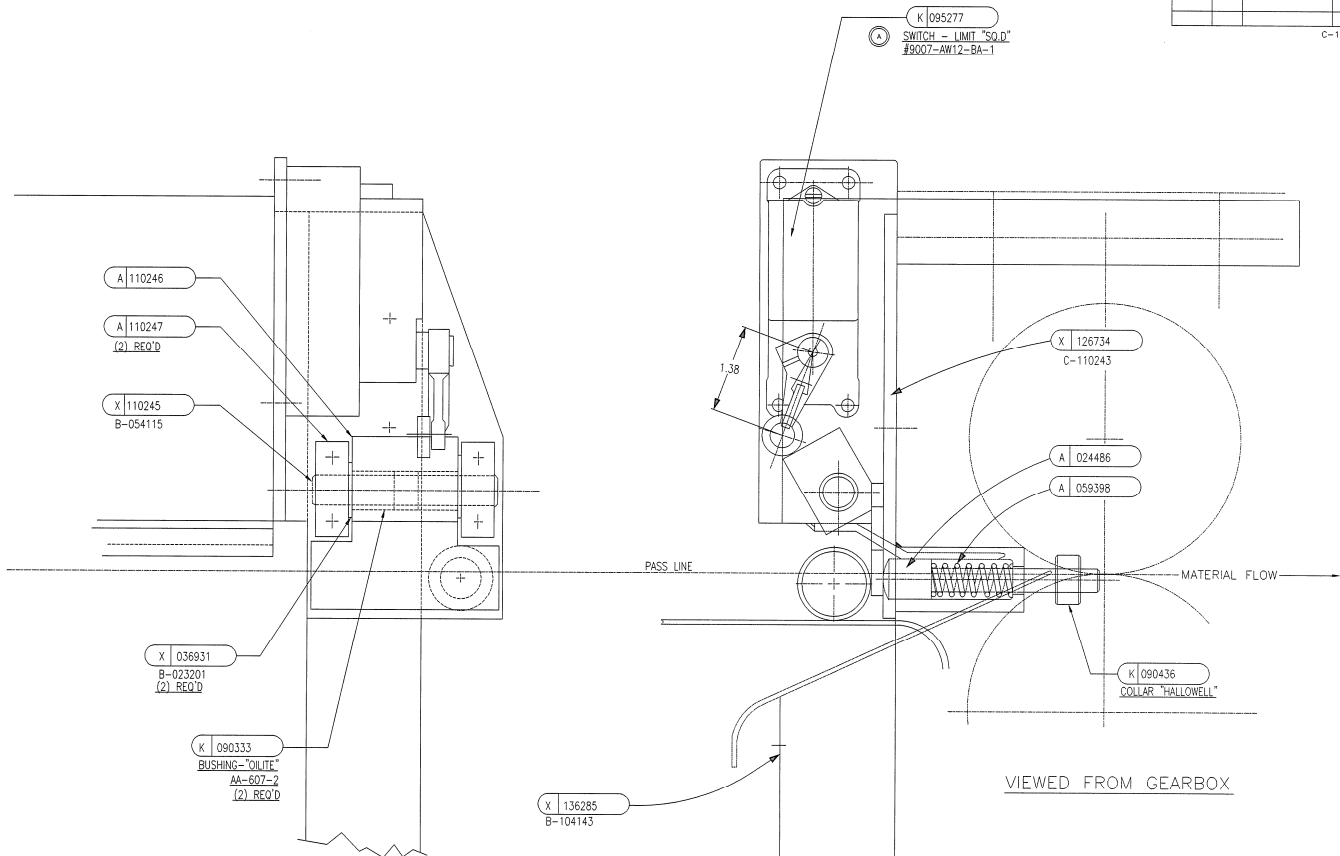


PLG LOCATION C-143999			
DATE	SYM	WAS	BY
5/8/81	A	K-090567	SC/JUG

C-110244



ENG. CROSS REF.:
 D-274680 "A-B" SWITCH
 FOR LT TO RT FEED DIRECTION
 SEE C-281104
 FOR METRIC TH'DS
 SEE D-286394

UNLESS OTHERWISE SPECIFIED FINISHED SURFACES HAVE: 125 MICRO INCH FINISH		COPYRIGHT VERNON INTERNATIONAL GROUP INC. ALL RIGHTS RESERVED. THIS DOCUMENT CONTAINS UNPUBLISHED CONFIDENTIAL AND PROPRIETARY INFORMATION OF VERNON INTERNATIONAL GROUP INC. NO DISCLOSURE OR USE OF ANY PORTIONS OF THESE MATERIALS MAY BE MADE WITHOUT THE EXPRESS WRITTEN CONSENT OF VERNON INTERNATIONAL GROUP INC.	
DIMENSIONS	TOLERANCE ±	CM'D	8/29/79 JMD
X AND X.X	0.1"	DRN	8/29/79 RDG
X.XX	0.01"	DES.	
X.XXX	0.001"	DATE	NAME
X.XXXX	0.0005"	VERNON INTERNATIONAL GROUP INC.	
ANGLES ± 0° 30'		TITLE	LAYOUT - CLEARING ROLL SAFETY SWITCH PART NO.
BREAK SHARP CORNERS 0.03 UNLESS OTHERWISE SPECIFIED		MACHINE #4-38 STRAIGHTENER	
		ORIG. NO.	84200
		SHT	1 OF 1
		SCALE:	FULL



C-143999