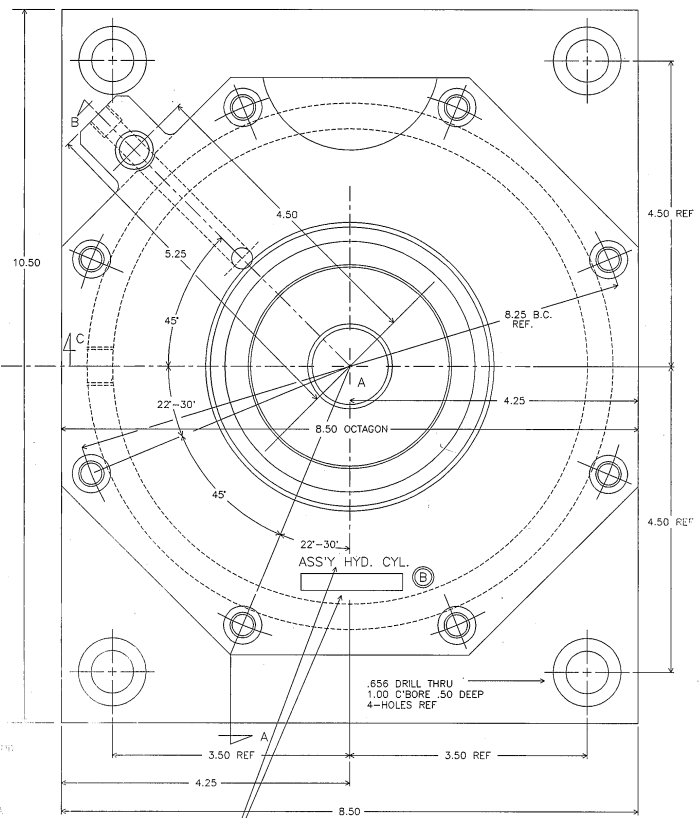
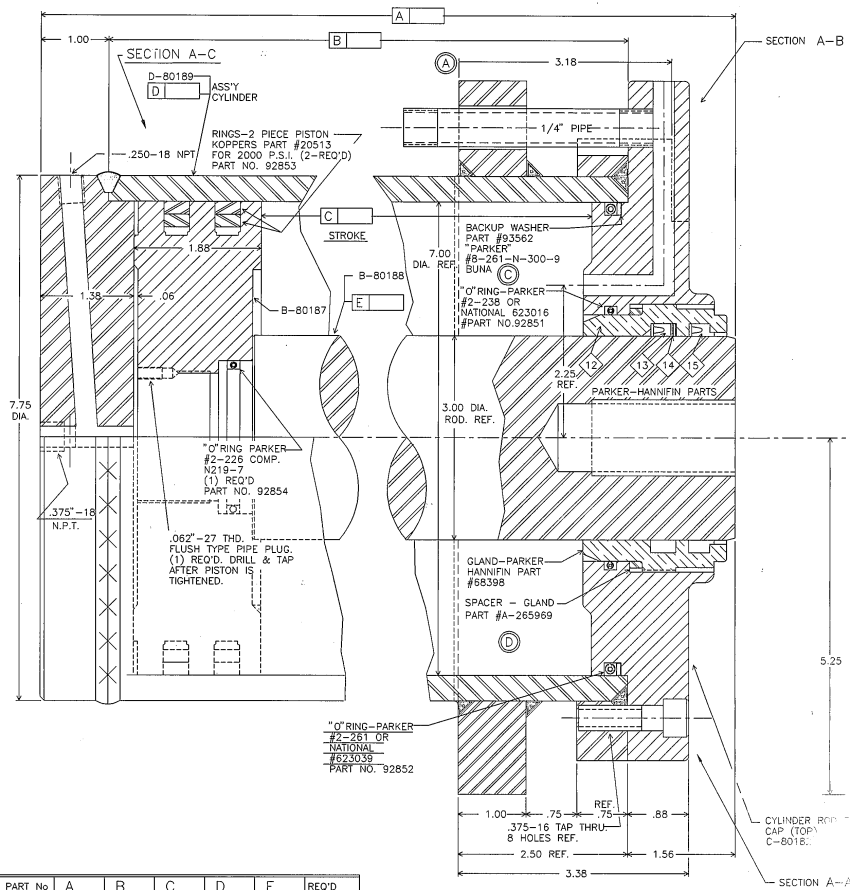


DATE	SYM	WAS	BY
11/09/90	D	082847	TJG
		261912	
05/19/71	A	CHARTED	TEG
07/11/74	A	ADDED	GAU
08/04/76	B	ADDED	PC
04/23/78	C	ADD_CAT#	JJG
08/16/85		REDRAWN	CZ



PART No	A	B	C	D	E	REQ'D
080180	23.50	20.94	18.125	080189	080188	
087410	29.50	26.94	24.125	087415	087411	
111756	26.50	23.94	21.125	110798	111757	
127406	12.50	9.94	7.125	129576	129575	
148200	20.88	18.32	15.50	148201	148202	
304582	27.50	24.94	22.125	305903	304584	

PARKER-HANNIFIN PARTS					
ITEM	PART NO.	DESCRIPTION	LITTELL PART NO.	NO. REQ'D PER UNIT	
12	68398	GLAND	92846	1	
13	49009-0300	LIPSEAL, GLAND	92848	1	
14	71254-0300	BACK-UP WASHER	92850	1	
15	47000-0300	WIPERSEAL	92849	1	

COPYRIGHT VERNON INTERNATIONAL GROUP INC. ALL RIGHTS RESERVED. THIS DOCUMENT CONTAINS UNPUBLISHED CONFIDENTIAL AND PROPRIETARY INFORMATION OF VERNON INTERNATIONAL GROUP INC. NO DISCLOSURE OR USE OF ANY PORTIONS OF THESE MATERIALS MAY BE MADE WITHOUT THE EXPRESS WRITTEN CONSENT OF VERNON INTERNATIONAL GROUP INC.

CHD: L. 01/89 TJG
 DFN: 02/14/89 RAL
 DES. DATE NAME
 TITLE ASSEMBLY - CYLINDER
 VERNON INTERNATIONAL GROUP INC.
 PART NO. C-080180
 SCALE: 1:1