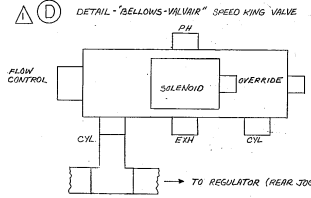
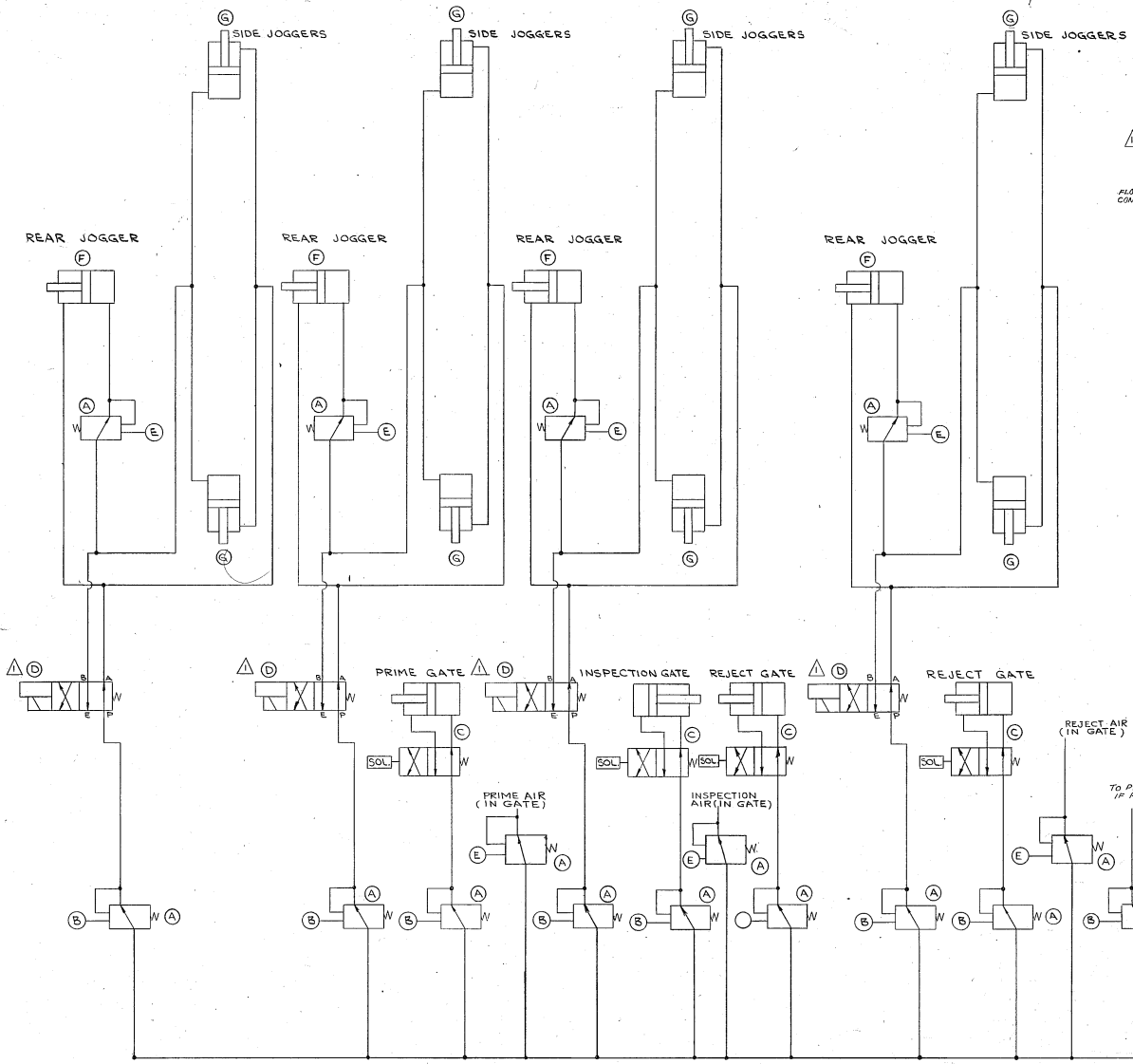


REVISIONS			
DATE	BY	WAS	BY
1-17-71	6	ADDED	17
2-27-71		REVISED	17
1185686			



PARTS LIST		
SYM.	N <sup>o</sup> REQD.	DESCRIPTION
A	16	REGULATOR - PRESS. - "NORGREN" #11-002-1037.
B	9	GAUGE - AIR PRESSURE - "NORGREN" #18-013-204.
C	4	CYL. - "BELLOWS VALVAIR" MODEL B8011-5027. 1.25" BORE - .75" STR. - 115 VOLT - 60 CYC.
D	4	VALVE - SPEED KING - "BELLOWS VALVAIR" #18-013-202. .38" SIZE - MODEL-5225-36-102 - 115 VOLT - 60 CYC.
E	7	GAUGE - AIR PRESSURE - "NORGREN" #18-013-202.
F	4	CYLINDER-AIR "MILLER" MODEL 828 - NON-CUSH. 2" BORE - 1" STROKE.
G	8	CYLINDER-AIR "MILLER" MODEL 828 - NON-CUSH. 2" BORE - 3.5" STROKE.

**F. J. LITTLE MACH CO**

REV. _____	DATE _____	SCALE _____	DRG. NO. _____
PART NO. _____	REV. _____	BY _____	CHK. _____
MATL. _____	NO. _____	BY J.R.A.	CHK. J.H.E.
TITLE: <b>DIAGRAM - PNEUMATIC</b>			
MANUFACTURED BY: <b>300 - 36 - 4 STACKER</b>			
ORIGINAL ORDER NUMBER: <b>78739-71</b>	QTY. <b>C</b>	REV. <b>86807</b>	DATE _____