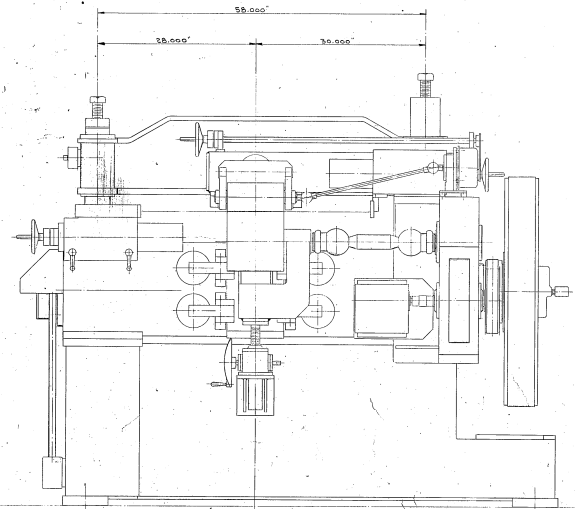
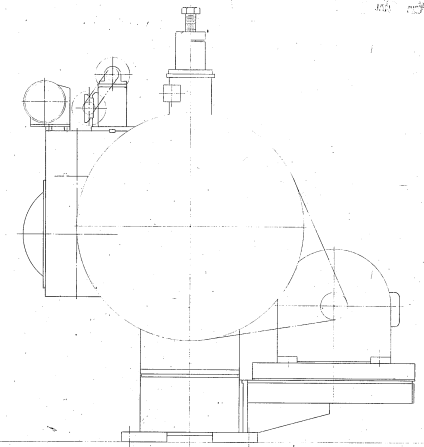
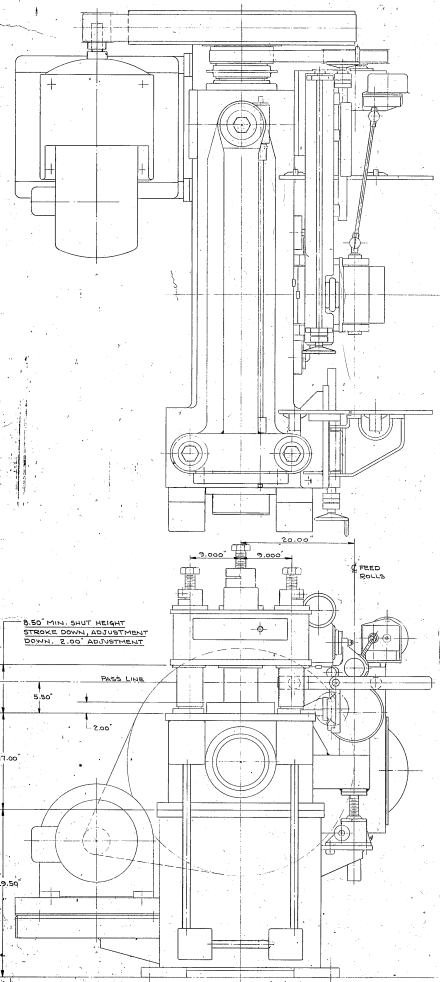


PLATE NO. D-125890	
DATE	REV.



FEED SPECIFICATIONS -  
 STRIP WIDTH (MAX.) ----- 45"  
 STRIP WIDTH (MIN.) ----- 24"  
 FEED LENGTH (MAX.) ----- 44"  
 FEED LENGTH (MIN.) ----- 15"  
 PRESS SPEED (MAX.) ----- 110 S.P.M.  
 PRESS SPEED (MIN.) ----- 55 S.P.M.

UNLESS OTHERWISE SPECIFIED FINISH SHALL BE 1/8" SURFACE FINISH	
DIMENSIONS IN INCHES FRACTIONS DECIMALS 1/8" 1/16" 1/32" 1/64" 3/16" 1/4" 5/16" 3/8" 7/16" 1/2" 5/8" 3/4" 7/8" 1" 1 1/8" 1 1/4" 1 1/2" 1 3/4" 2" 2 1/4" 2 1/2" 3" 3 1/4" 3 1/2" 4" 4 1/4" 4 1/2" 5" 5 1/4" 5 1/2" 6" 6 1/4" 6 1/2" 7" 7 1/4" 7 1/2" 8" 8 1/4" 8 1/2" 9" 9 1/4" 9 1/2" 10" 10 1/4" 10 1/2" 11" 11 1/4" 11 1/2" 12" 12 1/4" 12 1/2" 13" 13 1/4" 13 1/2" 14" 14 1/4" 14 1/2" 15" 15 1/4" 15 1/2" 16" 16 1/4" 16 1/2" 17" 17 1/4" 17 1/2" 18" 18 1/4" 18 1/2" 19" 19 1/4" 19 1/2" 20"	INCHES FRACTIONS DECIMALS 1/8" 1/16" 1/32" 1/64" 3/16" 1/4" 5/16" 3/8" 7/16" 1/2" 5/8" 3/4" 7/8" 1" 1 1/8" 1 1/4" 1 1/2" 1 3/4" 2" 2 1/4" 2 1/2" 3" 3 1/4" 3 1/2" 4" 4 1/4" 4 1/2" 5" 5 1/4" 5 1/2" 6" 6 1/4" 6 1/2" 7" 7 1/4" 7 1/2" 8" 8 1/4" 8 1/2" 9" 9 1/4" 9 1/2" 10" 10 1/4" 10 1/2" 11" 11 1/4" 11 1/2" 12" 12 1/4" 12 1/2" 13" 13 1/4" 13 1/2" 14" 14 1/4" 14 1/2" 15" 15 1/4" 15 1/2" 16" 16 1/4" 16 1/2" 17" 17 1/4" 17 1/2" 18" 18 1/4" 18 1/2" 19" 19 1/4" 19 1/2" 20"
NAME TITLE CHECKED BY DATE	ASSEMBLY LM-1 SHEAR 82130-76 D 125890