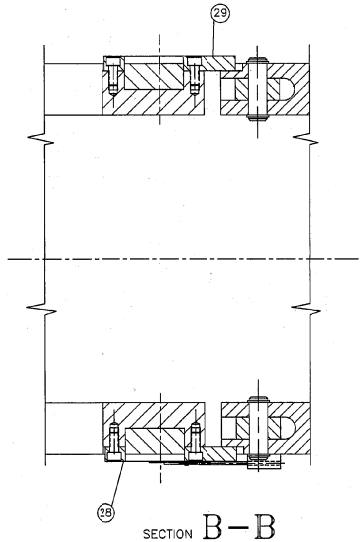
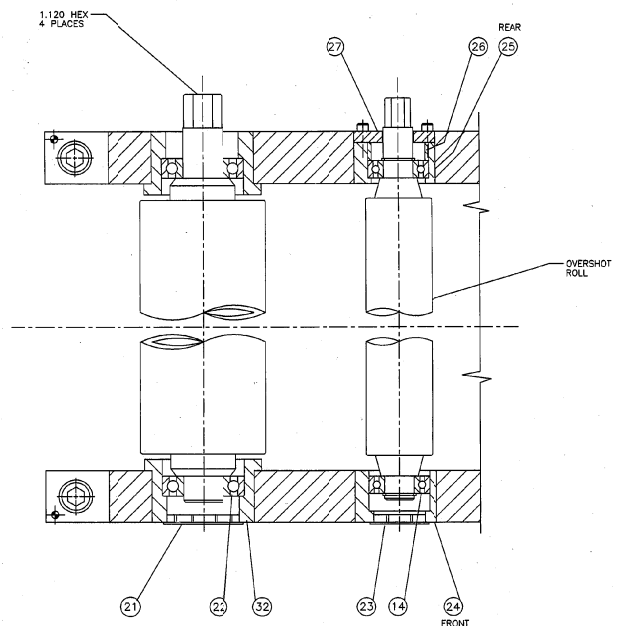


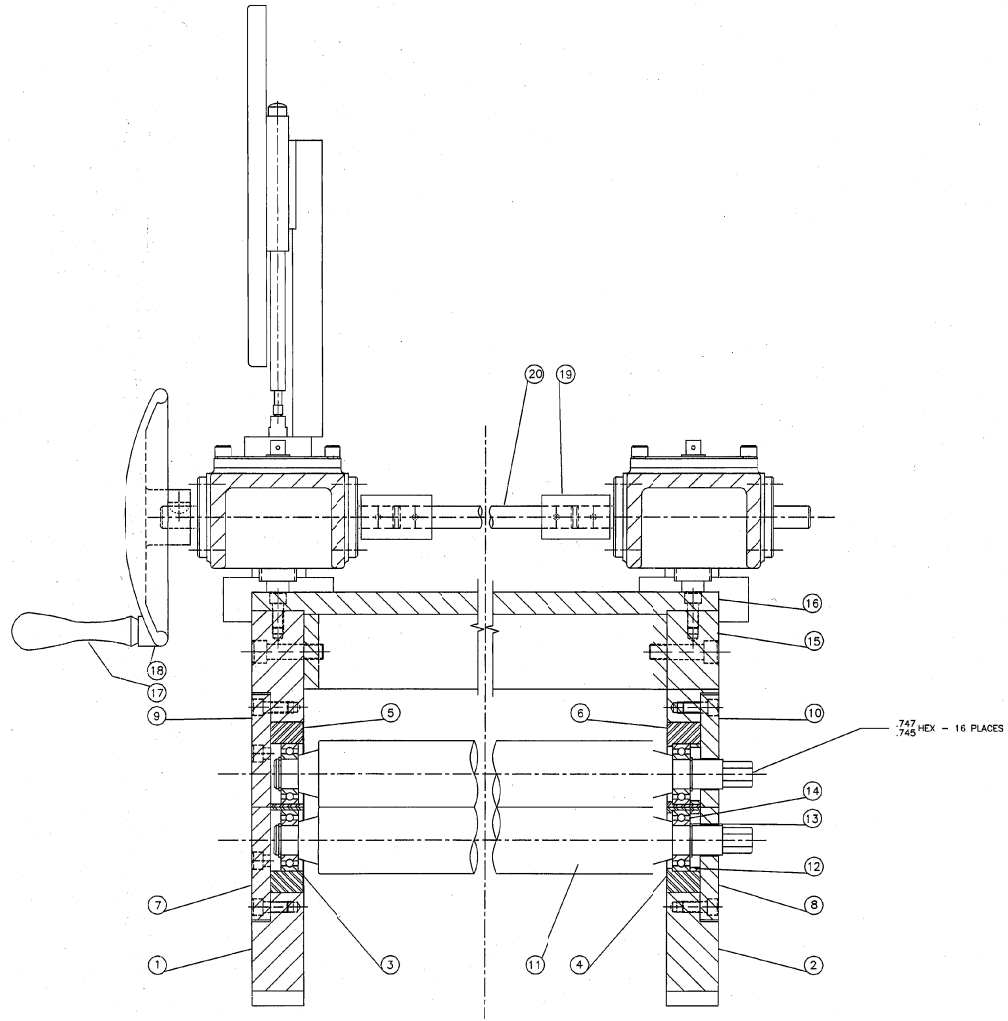
PART LOCATION D-127860			
DATE	SYM	WKS	BY
		REVISIONS	
		NOTED	
		ON SHT #1	
		ONLY	



SECTION B-B



SECTION A-A



SECTION C-C

UNLESS OTHERWISE SPECIFIED FINISHED SURFACES HAVE:		COPYRIGHT ALL VL DIVISION, VERNON INTERNATIONAL GROUP INC. ALL RIGHTS RESERVED. THIS DOCUMENT CONTAINS UNPUBLISHED CONFIDENTIAL AND PROPRIETARY INFORMATION OF ALL VL DIVISION, VERNON INTERNATIONAL GROUP INC. NO PART OF THIS DOCUMENT OR USE BY ANY PORTION OF THESE MATERIALS MAY BE MADE WITHOUT THE EXPRESS WRITTEN CONSENT OF ALL VL DIVISION, VERNON INTERNATIONAL GROUP INC.	
125 MILIUM HOOK FINISH			
DIMENSIONS	TOLERANCE ±	CHKD. 08-21-82	TJC
X AND X.X	0.1"	DRG. 08-20-82	DRR
X.XX	0.01"	DES:	
X.XXX	0.001"	DATE	NAME
X.XXXX	0.0001"	VERNON INTERNATIONAL GROUP INC.	
ANGLES 2° 30'		TITLE LAYOUT - STRAIGHTENER HEAD	
BRAZ: SHARP CORNERS & CH		MACHINE #142 - 16 STR. MACHINE	PART NO. D-127860
UNLESS OTHERWISE SPECIFIED		ORD. NO. 62731-76	SHT 2 OF 2 SCALE: 50=1.0"