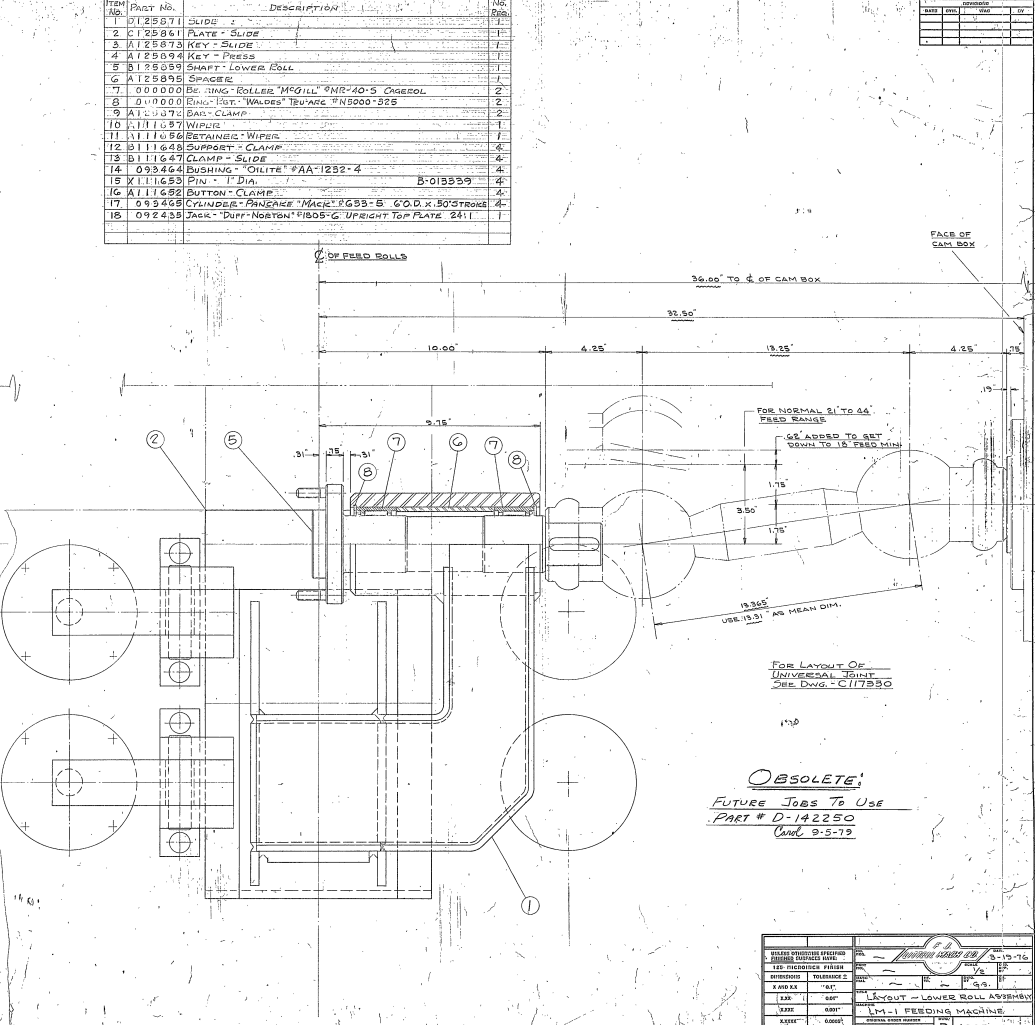
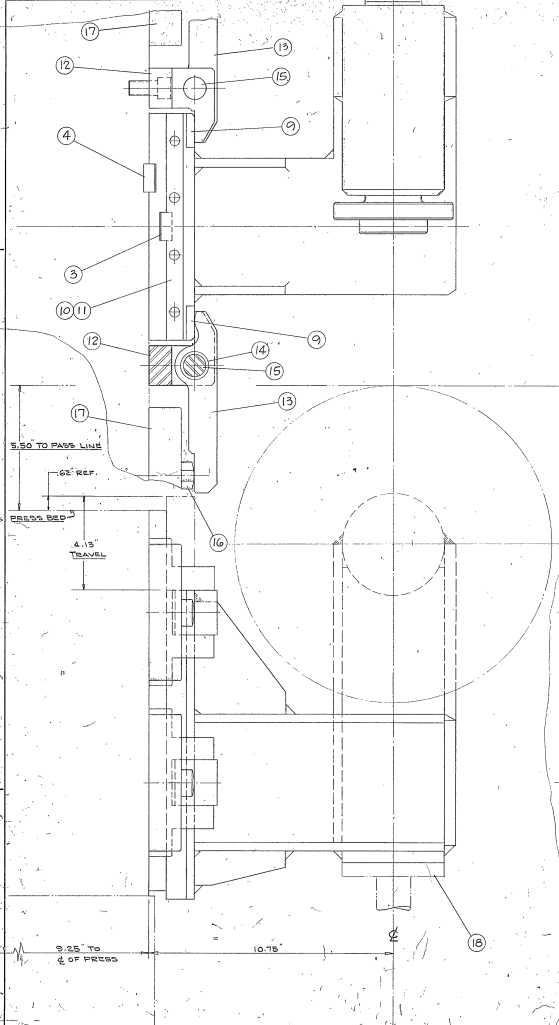


ITEM NO.	PART NO.	DESCRIPTION	QTY
1	0125671	SLIDE	1
2	C125061	PLATE - SLIDE	1
3	A125873	KEY - SLIDE	1
4	A125939	KEY - PRESS	1
5	B125059	SHAFT - LOWER ROLL	1
6	A125895	SPACER	1
7	000000	SING. ROLLER "MGILL" 9"X14" X 5 CHROME	2
8	000000	SING. "3T" WALDES TEVAIG "N5000-325"	2
9	A125070	BAR - CLAMP	2
10	A111037	WIPER	1
11	A111056	RETAINING - WIPER	1
12	B111648	SUPPSET - CLAMP	6
13	B111647	CLAMP - SLIDE	6
14	093464	BUSHING "OLITE" FAA-1252-4	4
15	X111653	PIN - 1" DIA.	4
16	A111682	BUTTON - CLAMP	4
17	093468	CLAMP - RANGE "MAGIC" FG55-B 6" O.D. X 50" STROKE	4
18	092438	JACK - "DUFF-NORTON" #1805-G UPRIGHT TOP PLATE 2411	1



OBsolete!
 FUTURE JOBS TO USE
 PART # D-142250
 Dwg. 9-5-79

REVISIONS		DATE	
1	AS SHOWN		6-15-76
2			
3			
4			
5			
6			
7			
8			
9			
10			
11			
12			
13			
14			
15			
16			
17			
18			

APP'D	DATE	BY	DATE
CHK'D	DATE	BY	DATE
DRN	DATE	BY	DATE
DESIGN	DATE	BY	DATE
ENGR	DATE	BY	DATE
MANAGER	DATE	BY	DATE
PART NO. D-125500		REV. 1	
DRAWING NO. D-125500-1		DATE 9-5-79	
JOB NO. 52150-716		D 125500	