

4

3

2

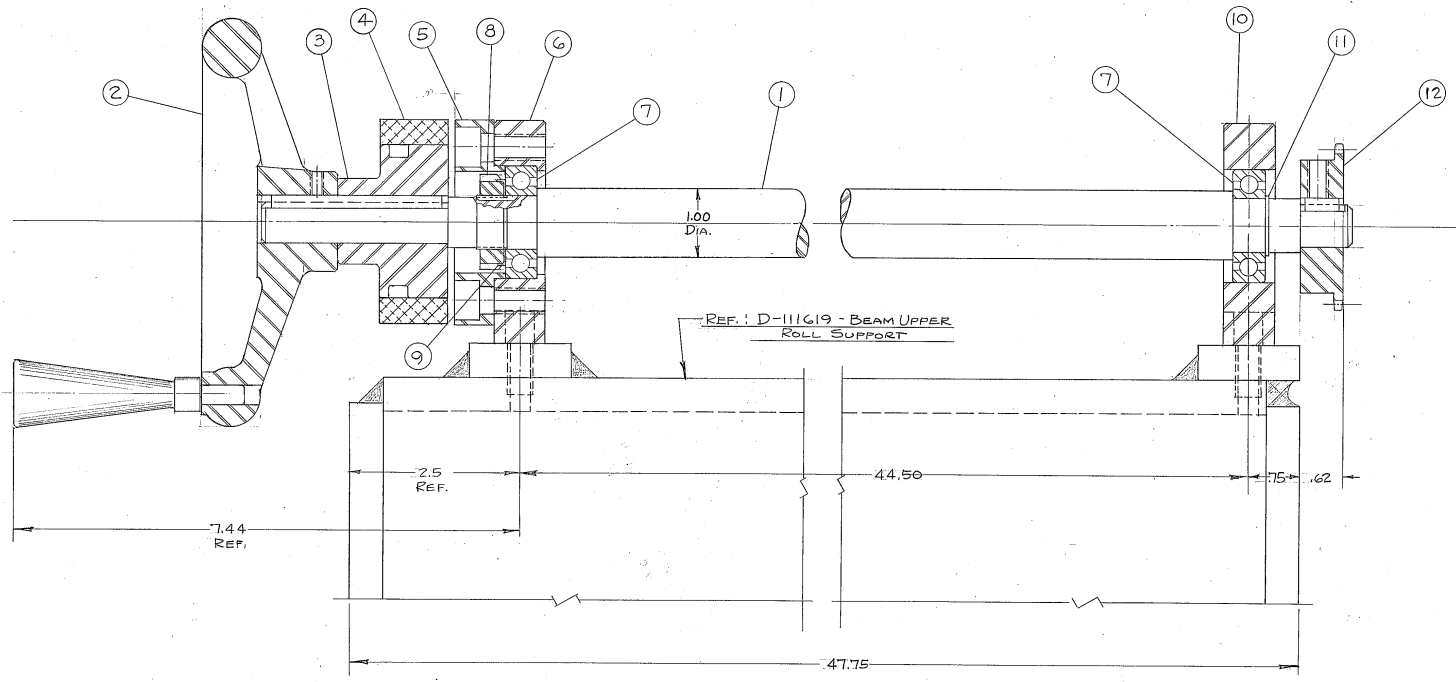
MICROFILMED

FILE NO. C-110274

JUL 1959

REVISIONS			
DATE	BY	WAR	BY
3-12-59	A	L-092072	3/78

ITEM No.	PART No.	DESCRIPTION	Dwg. No.	No. Rep.
1	C-110271	SHAFT - HANDWHEEL		1
2	K-094238	HANDWHEEL - "BALCRANK" 5" DIA. #H154508		1
3	B-077356	HUB - DIAL INDICATOR		1
4	B-117317	DIAL - INDICATOR		1
5	A-116096	RETAINER - BRG.		1
6	B-110272	BLOCK - PILLOW		1
7	092443	BRG. - BALL "N.D." #Z993L04 - 7874 I.D.		2
8	093111	NUT - BRG. "MFGRS. STD." #N-04		1
9	093121	WASHER - LOCK "MFGRS. STD." #W-04		1
10	B-110273	BLOCK - PILLOW		1
11	000000	RING - RET. "WALDES" TRWARC #5100-78		1
12	000000	SPROCKET - "BOSTON GEAR" #25B28 - 1/4" PITCH - .625 BORE - 1.00 X .093 HOLE - .312 - 1/8 - 5/8"		1



UNLESS OTHERWISE SPECIFIED FINISHED SURFACES HAVE:		125 MICROINCH FINISH	
DIMENSIONS	TOLERANCE ±	XXX	0.01"
XXX	0.01"	XXXX	0.001"
XXXX	0.0005"	BREAK SHARP CORNERS 0.03 UNLESS OTHERWISE SPECIFIED	

	DATE: 11-5-76 DRAWN BY: FULL CHECKED BY: CAROL TITLE: LAYOUT - STOCKGUIDE HANDWHEEL SHAFT ORIGINAL ORDER NUMBER: 82730-76 DWG. NO.: 110274
--	---