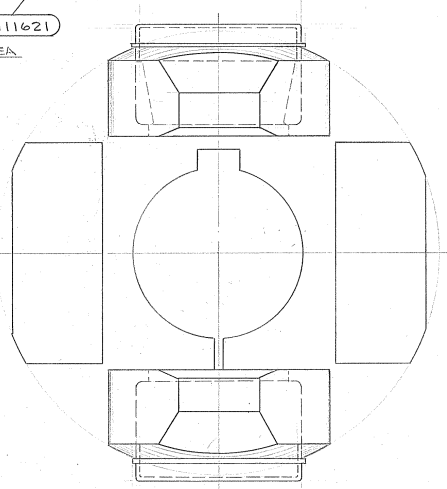
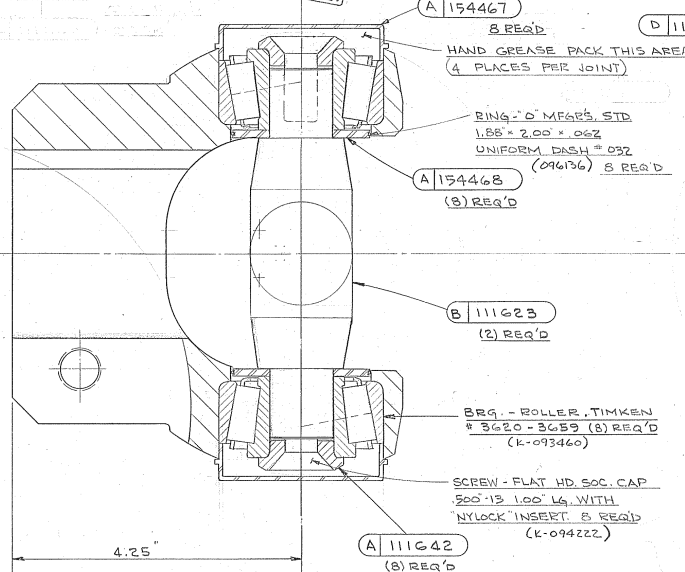
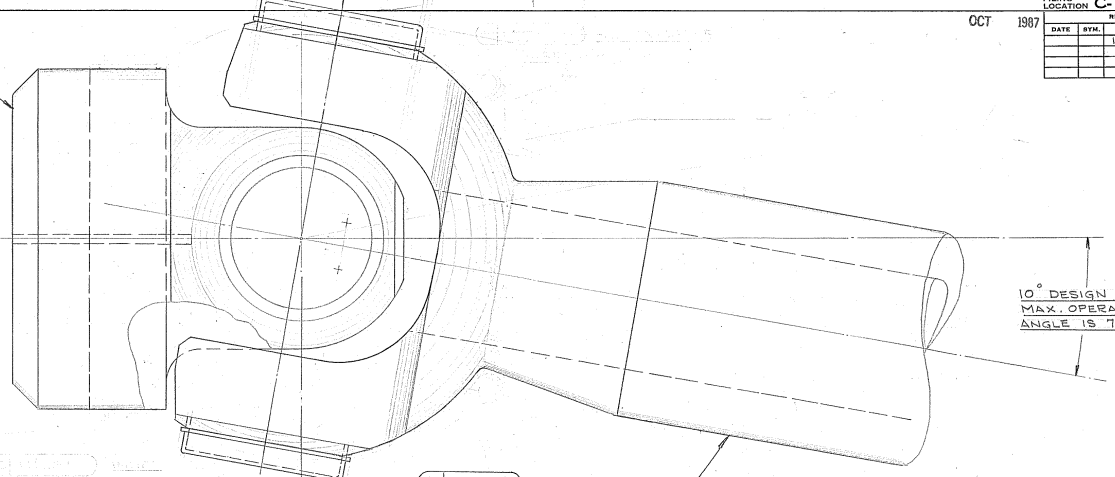
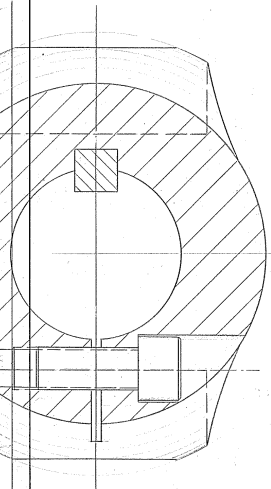


REVISION		DATE	BY
1	108547		

C 111622  
 (2) REQ'D

10° DESIGN ANGLE  
 MAX. OPERATING  
 ANGLE IS 7.5°



BOTH ENDS TO BE IDENTICAL

UNLESS OTHERWISE SPECIFIED DIMENSION SURFACES HAVE		DATE
125 MICROINCH FINISH	SCALE 1:100=1.00	12-1-81
DIMENSIONS	TOLERANCE ±	BY
X AND X.X	0.1"	EC
XXX	0.01"	BY
XXXX	0.001"	BY
XXXXX	0.0005"	BY
ORIGINAL ORDER NUMBER		REV.
86520-80		C
BREAK SHARP CORNERS 0.03 UNLESS OTHERWISE SPECIFIED		155476