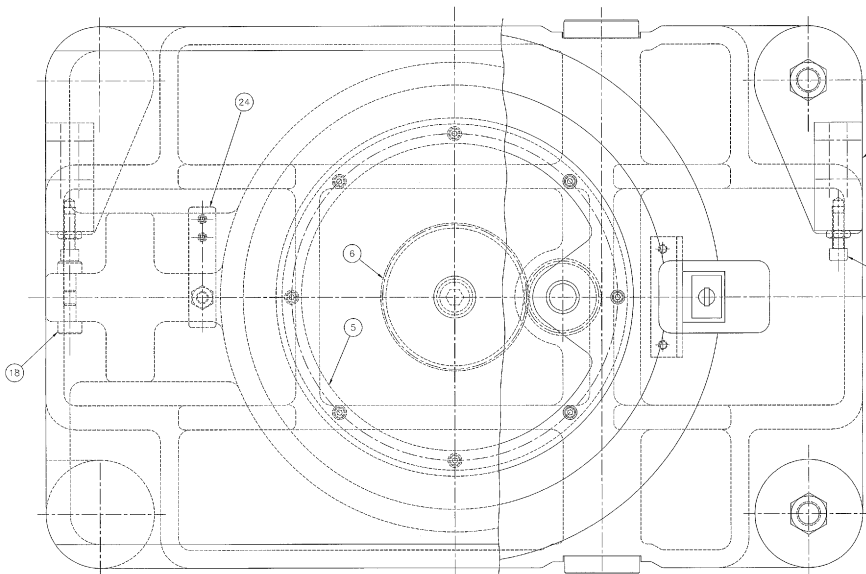
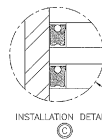


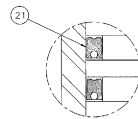
DATE	BY	WAS	BY
3/21/89	A	AC-26434	IND/AG
12/2/88	B	FAIRFAX 24-218	TRE
12/2/88	C	DETAL ACOD	DM
1/28/88	D	ARDEC 238603	NON
02/1/88	E	D/L A-024937	POB/AM



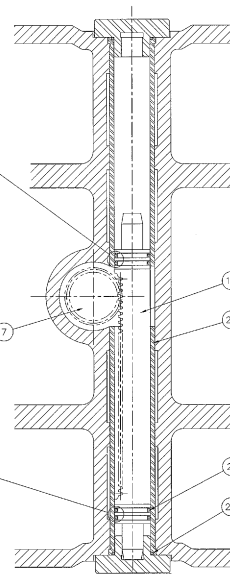
SOC HD. CAP SCREW
500-13 X 1.50 LG.



INSTALLATION DETAIL
C



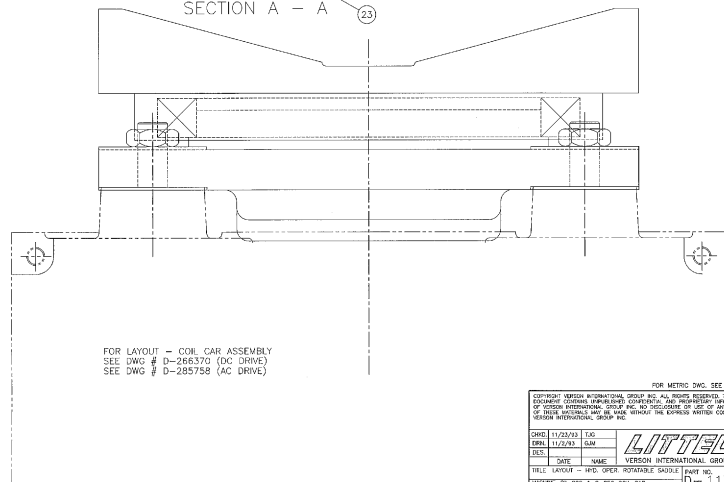
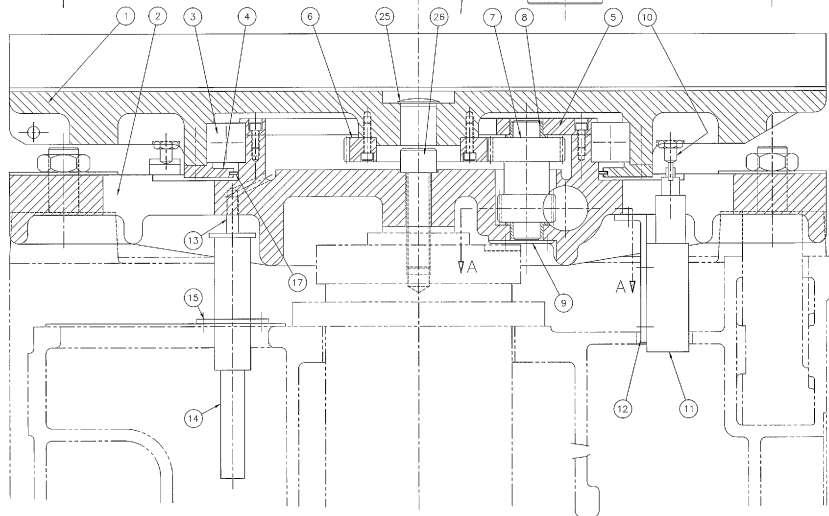
INSTALLATION DETAIL
C



SECTION A - A

ITEM	QTY	DESCRIPTION	PART NO.	DRW. NO.	MATERIAL
26	1	SCREW "MAX. LR"	K-092001		
25	1	BUTTON - PLUG MEMBER-SUPP #063K21	K-318130		
24	1	POSITION LATCH	A-049020		
23	2	COVER - HYD. CYLINDER	A-026431		
22	2	O RING "NATIONAL" #610082	K-092553		
21	4	SEAL "PARKER" POLYPAN#12501250	K-095384		
20	2	SLEEVE - CYLINDER	B-029583		
19	1	PISTON WITH RACK	B-028425		
18	2	BUTTON "MONROE" #BR-506	K-091387		
17	1	WICKET - FELT STRIP	K-093257		
16	2	BRACKET - ADJ. STOP	B-073693		
15	1	TUBING - GUIDE	A-029464		
14	1	TUBING	A-086087		
13	1	PIPE DRAIN	A-086086		
12	1	BRACKET - MTG. "MICROSWITCH"	A-028865		
11	1	SWITCH "A-B" SWITCH #6027-DR	A-246774		
10	2	SWITCH DOG	K-091647		
9	1	CAP - PINION	603020		
8	2	BUSHING "OLITE" #FF-1314-1	A-026433		
7	1	CLUSTER GEAR	A-029463		
6	1	GEAR - SADDLE DRIVE	K-091330		
5	1	RETAINER - BRG. SADDLE SUP.	B-026424		
4	1	RETAINER - BEARING SADDLE	C-026057		
3	1	BEARING "KAYDON" #B-5073-1	C-026423		
2	1	SADDLE - SUPPORT	K-091331	B-242070	
1	1	SADDLE WITHOUT NARROW COIL SUPP WITH NARROW COIL SUPP	D-051501		
			D-051502		
			D-239803		

PARTS LIST



FOR LAYOUT - COIL CAR ASSEMBLY
SEE DWG # D-286370 (DC DRIVE)
SEE DWG # D-285758 (AC DRIVE)

FOR METRIC SIZE, SEE D-302026

VERNON INTERNATIONAL GROUP, INC. ALL RIGHTS RESERVED. THIS DOCUMENT IS THE PROPERTY OF VERNON INTERNATIONAL GROUP, INC. NO DISSEMINATION OR USE OF ANY PORTION OF THIS DOCUMENT IS TO BE MADE WITHOUT THE EXPRESS WRITTEN CONSENT OF VERNON INTERNATIONAL GROUP, INC.

DATE	BY	NAME	VERSION	INTERNATIONAL GROUP, INC.
11/29/79	LAG			
11/29/79	EGM			
11/29/79	EGM			
DATE	NAME	VERSION	INTERNATIONAL GROUP, INC.	

SCALE: 50:1=100

D-117953