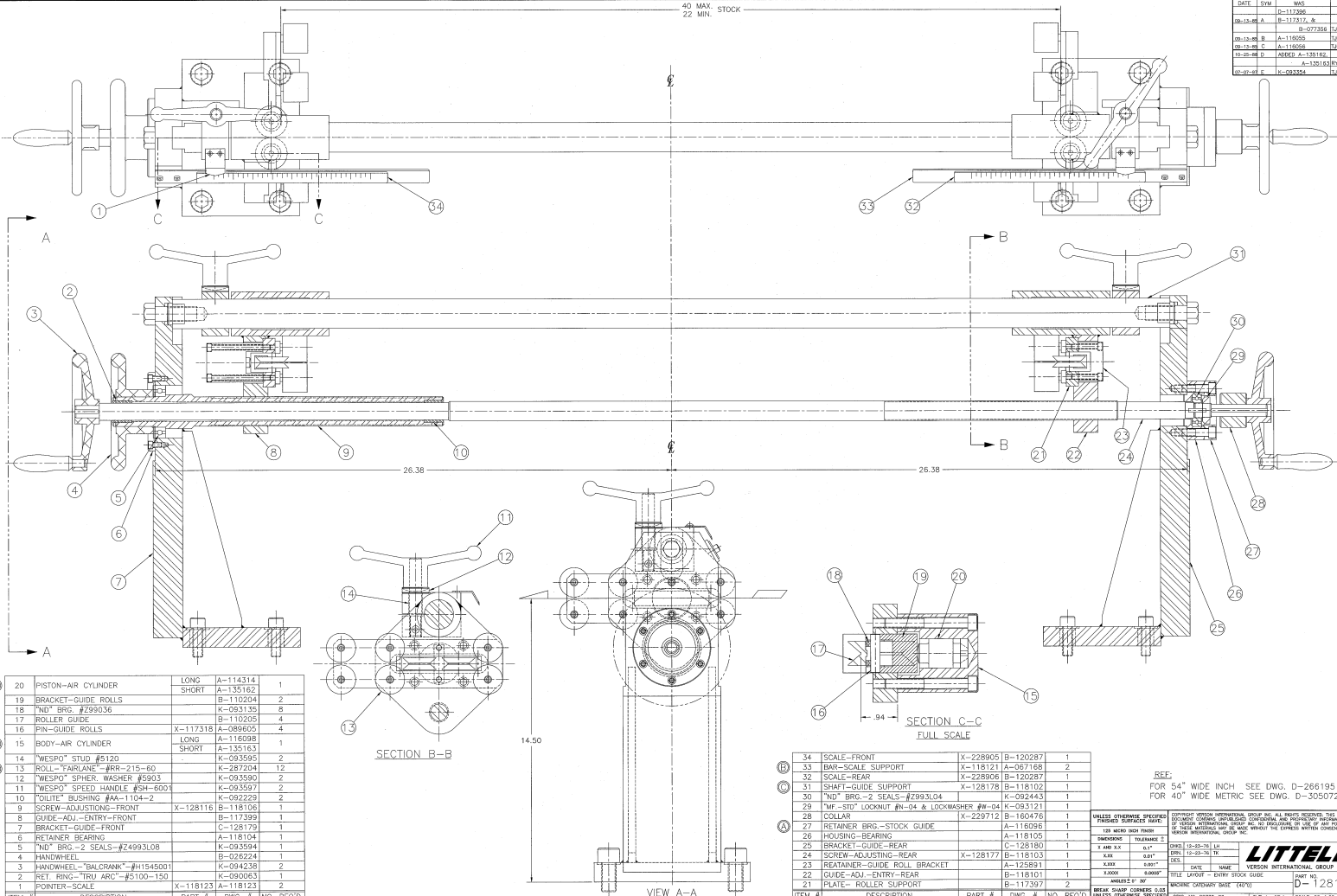


DATE	BY	WKS	REV
08-15-88	A	11-17336	1
08-13-88	B	11-17331	1
08-13-88	B	11-17336	1
08-13-88	C	11-17336	1
10-25-88	D	11-17336	1
10-25-88	E	11-17336	1



ITEM #	DESCRIPTION	PART #	DWG. #	NO. REQ'D.
20	PISTON-AIR CYLINDER	LONG A-114314 SHORT A-135162		1 2
19	BRACKET-GUIDE ROLLS	B-110204		2
18	"ND" BRG. #Z99036	K-093135		8
17	ROLLER GUIDE	B-110205		4
16	PIN-GUIDE ROLLS	X-117318 A-089605		4
15	BODY-AIR CYLINDER	LONG A-116099 SHORT A-135163		1 2
14	"WESPO" STUD #5120	K-093565		2
13	ROLL-"FAIRLANE"-#RR-215-60	K-287204		12
12	"WESPO" SPIRER WASHER #5903	K-093560		2
11	"WESPO" SPEED HANDLE #SM-6001	K-093597		2
10	"DILITE" BUSHING #AA-1104-2	K-092229		2
9	SCREW-ADJUSTING-FRONT	X-128116 B-118106		1
8	GUIDE-ADJ-ENTRY-FRONT	B-117399		1
7	BRACKET-GUIDE-FRONT	C-128179		1
6	RETAINER BEARING	A-118104		1
5	"ND" BRG.-2 SEALS-#Z4993L08	K-093594		1
4	HANDWHEEL	B-026224		1
3	HANDWHEEL-"BAL CRANK"-#H1545001	K-094236		2
2	RET. RING-"TRU ARC"-#5100-150	K-092063		1
1	POINTER-SCALE	X-118123 A-118123		2

ITEM #	DESCRIPTION	PART #	DWG. #	NO. REQ'D.
34	SCALE-FRONT	X-228905 B-120287		1
33	BAR-SCALE SUPPORT	X-118121 A-087188		2
32	SCALE-REAR	X-228906 B-120287		1
31	SHAFT-GUIDE SUPPORT	X-128178 B-118102		1
30	"ND" BRG.-2 SEALS-#Z993L04	K-092443		1
29	"MP-STO" LOCKNUT #N-04 & LOCKWASHER #W-04	K-093121		1
28	COLLAR	X-229712 B-160476		1
27	RETAINER BRG.-STOCK GUIDE	A-118096		1
26	HOUSING-BEARING	A-118105		1
25	BRACKET-GUIDE-REAR	C-128180		1
24	SCREW-ADJUSTING-REAR	X-128177 B-118103		1
23	RETAINER-GUIDE ROLL BRACKET	A-128891		1
22	GUIDE-ADJ-ENTRY-REAR	B-118103		1
21	PLATE-ROLLER SUPPORT	B-117397		2

REF.
FOR 54" WIDE INCH SEE DWG. D-266195
FOR 40" WIDE METRIC SEE DWG. D-305072

UNLESS OTHERWISE SPECIFIED DIMENSIONS ARE IN INCHES. DIMENSIONS IN PARENTHESES ARE FOR METRIC EQUIVALENTS. DIMENSIONS IN PARENTHESES ARE FOR METRIC EQUIVALENTS. DIMENSIONS IN PARENTHESES ARE FOR METRIC EQUIVALENTS.

DATE: 11-02-98
DRAWN BY: JDK
CHECKED BY: JDK
SCALE: 50:1

LITTELL
VERSON INTERNATIONAL GROUP INC.
D-128183