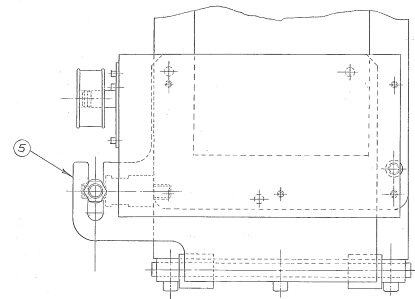
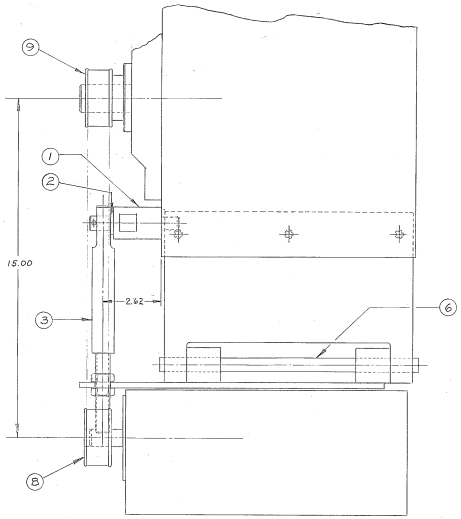
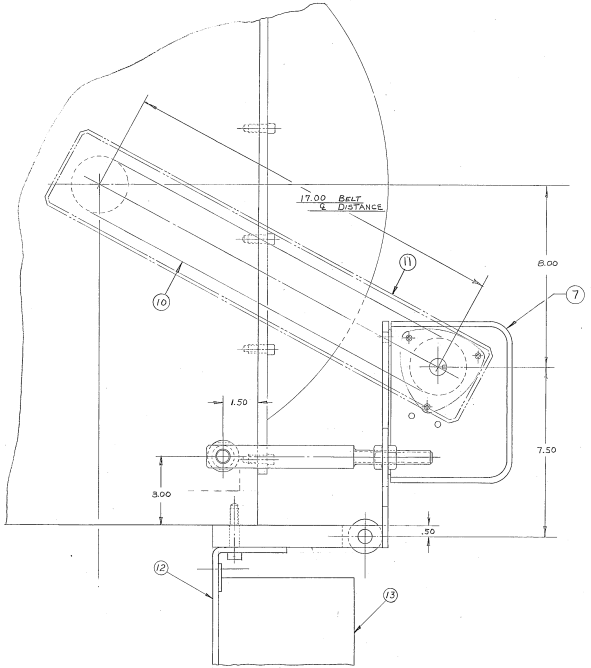


ITEM No.	PART No.	DESCRIPTION	AM. REQD.
1	X-135168	PIN - ANCHOR (A-131592)	1
2	X-024179	WASHER - STL. 52/129*12 (B-094800)	1
3	A-135169	SHAFT - ANCHOR PIN	1
4	B-135167	BRACKET - DRUM SWITCH MTG.	1
5	C-135165	PLATE - DRUM SWITCH MTG.	1
6	X-025914	SHAFT - .625 DIA. * 11.50 LG. (B-031600)	1
7	000000	SWITCH - CON. TALKER - ENGLEY # 89 B P-3	1
8	000000	PULLEY - "BROWNING" #21LB00 749/750 BORE	1
9	000000	PULLEY - "BROWNING" #21LB00 1350/1351 BORE	1
10	000000	GEARBELT - "BROWNING" #9221100 - 30P-42.50 BL.	1
11	B-139158	GUARD - DRUMSWITCH BELT	1
12	B-143329	BRKT. - JUNCTION BOX MTG.	2
13	K-094480	BOX - HOFFMANN - JUNCTION #1000CH 10" * 10" * 6" DR.	1

76297



SCALE DIMENSIONS UNLESS OTHERWISE SPECIFIED DIMENSIONS UNLESS OTHERWISE SPECIFIED 1/8" = 1"	REV. DATE BY 1 2 3 4 5 6 7 8 9 10 11 12 13	TITLE LAYOUT - DRUM SWITCH MTG.	SHEET NO. 135164
DRAWN BY BR-5	CHECKED BY BR-5	APPROVED BY BR-5	DATE APR 1955