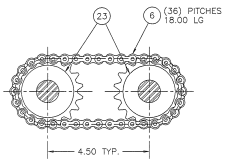
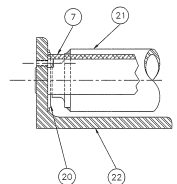


DATE	SO. 1	WKS	BY
19-28-91	2	4800 XHT	FA
08-10-91	4	4800 XHT	FA

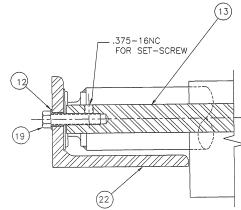
MICROFILMED  
SEPT. 1987



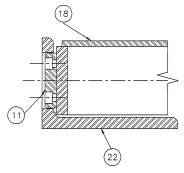
**SECTION A-A**  
TYPICAL CHAIN MTG.  
SCALE 1:2



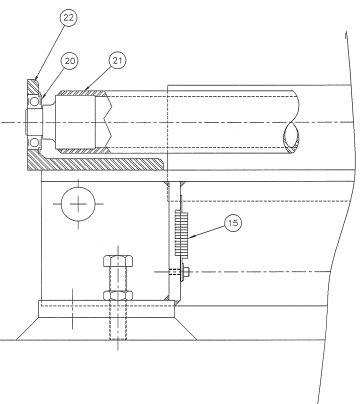
**SECTION D-D**  
TYPICAL MTG.  
SCALE 1:2



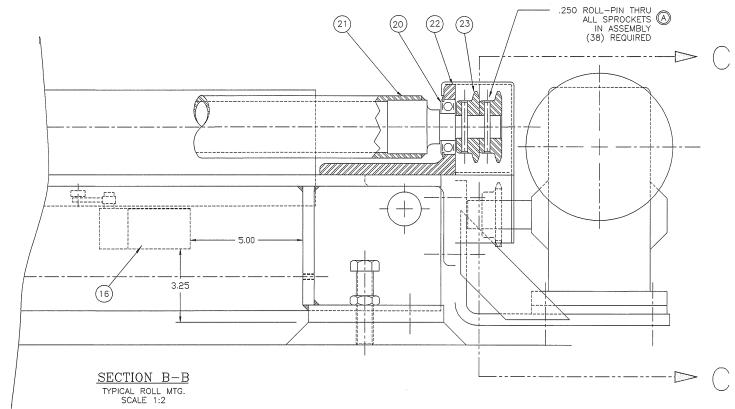
**SECTION E-E**  
TYPICAL MTG.  
SCALE 1:2



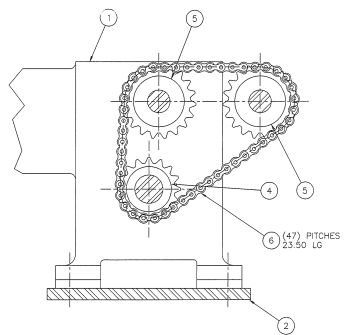
**SECTION F-F**  
TYPICAL MTG.  
SCALE 1:2



**SECTION B-B**  
TYPICAL ROLL MTG.  
SCALE 1:2



**SECTION C-C**  
VIEW ROTATED 90°  
SCALE 1:2



**SECTION C-C**  
VIEW ROTATED 90°  
SCALE 1:2  
TYPICAL (2) PLACES

UNLESS OTHERWISE SPECIFIED	1.38 MICRO HIGH FINISH	ISO UNFINISH E	CHD (6-25-73) LH	DATE	1987	SCALE	1:2	DRW. NO.	D-143484
1 AND 1/2	0.8F	0.8F	0.8F	DATE	1987	SCALE	1:2	DRW. NO.	D-143484
XXX	0.8F	0.8F	0.8F	DATE	1987	SCALE	1:2	DRW. NO.	D-143484
XXXX	0.80F	0.80F	0.80F	DATE	1987	SCALE	1:2	DRW. NO.	D-143484
XXXXX	0.800F	0.800F	0.800F	DATE	1987	SCALE	1:2	DRW. NO.	D-143484
UNLESS OTHERWISE SPECIFIED	ISO UNFINISH E	ISO UNFINISH E	ISO UNFINISH E	DATE	1987	SCALE	1:2	DRW. NO.	D-143484
BREAK SHAPE CORNER 0.03	UNLESS OTHERWISE SPECIFIED	UNLESS OTHERWISE SPECIFIED	UNLESS OTHERWISE SPECIFIED	DATE	1987	SCALE	1:2	DRW. NO.	D-143484