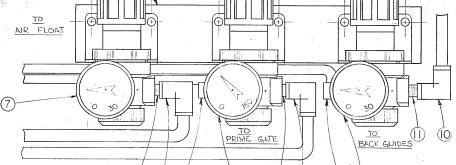
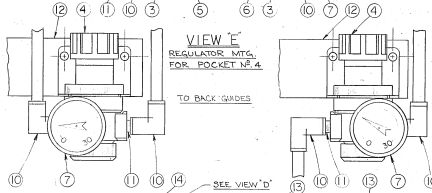


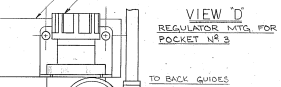
VIEW B
REGULATOR MFG. FOR
POCKET NO. 1



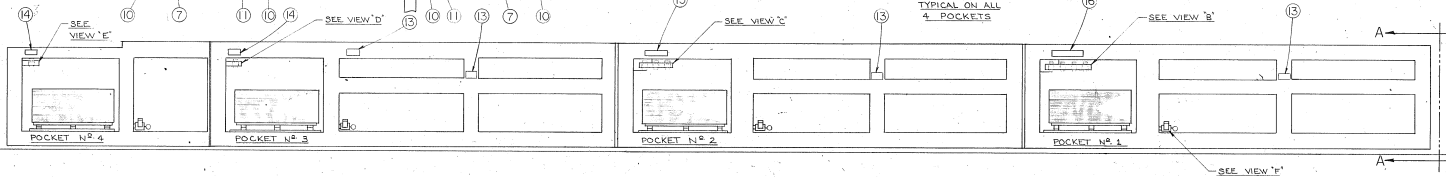
VIEW C
REGULATOR MFG. FOR
POCKET NO. 2



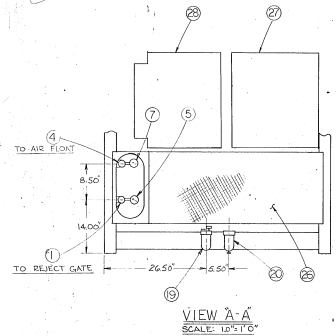
VIEW E
REGULATOR MFG. FOR
POCKET NO. 4



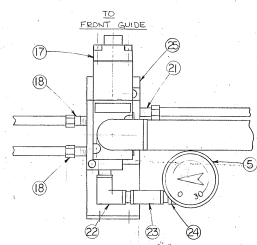
VIEW D
REGULATOR MFG. FOR
POCKET NO. 3



←←←
DIRECTION OF FEED



VIEW A-A
SCALE 10:1



VIEW F
TYPICAL ON ALL
4 POCKETS

ITEM	PART NO.	DESCRIPTION	QUANTITIES			UNIT
			REQD.	ISSUED	RES.	
1	K-093936	REGULATOR - NORGREN 2-1/2 PSI .250 NPT "RI-300-RH	4			4
2	K-011989	BRACKET - BECA - POCKET #1 (4 BECA)	1			1
3	K-093939	ELBOW - MALE - PARKER .38 TUBE - .38 PIPE "KACR-4-G	4			4
4	K-093938	REGULATOR - NORGREN 1-50 PSI .25 NPT "RI-200-RHE	7			7
5	K-093941	GAUGE - NORGREN 0-160 PSI "18-D13-209	8			8
6	K-000000	NIPPLE - SHORT .375 NPT	4			4
7	K-093945	GAUGE - NORGREN 0-50 PSI "18-D13-207	7			7
8	K-011990	BRACKET - BECA - POCKET #2 (2 BECA) A-141989	1			1
9	K-000000	TELEPHONE TAPPER .375 TUBE "KACR-4-G	1			1
10	K-093849	ELBOW - MALE - PARKER .25 TUBE .25 PIPE "KACR-4-G	10			10
11	K-000000	NIPPLE - SHORT .25 NPT	6			6
12	K-011991	BRACKET - BECA - POCKET #3 & 4	2			2
13	K-000000	MATERIAL - BOWING GUIDE	4			4
14	K-000000	PLATE - NAME BECA - AIR REGULATORS BACK - 3/8" X 1/2"	2			2
15	B-118783	NAMEPLATE - AIR REGULATORS (3)	1			1
16	B-118784	NAMEPLATE - AIR REGULATORS (4)	1			1
17	K-000000	VALVE - "NOMATICS" SGL. SOL. W/ SOL. REG. MARK 7 - 115 V .50HZ #118A2420-120V W/ #229-464A REG. 5/30R	4			4
18	K-033711	CONNECTOR - MALE - PARKER "KACR-4-G .25 TUBE .25 PIPE	1			1
19	K-093840	INDICATOR - NORGREN "1/2-300-MPLA - .375 NPT	1			1
20	K-093930	FILTER - NORGREN "F12-300-MSTA - .375 NPT	1			1
21	K-093931	CONNECTOR - MALE - PARKER "KACR-4-G .25 TUBE .25 PIPE	1			1
22	K-000000	ELBOW - FEMALE .125 NPT - .25 TUBE	1			1
23	K-000000	NIPPLE - LONG .25 NPT	1			1
24	K-000000	ELBOW - 90 .25 NPT BOTH ENDS	1			1
25	B-131664	BRACKET - AIR REGULATOR 1.2, 3, 4, 4	1			1
26	B-131823	COVER - OPEN MESH ENTRY CONV.	1			1
27	B-141312	SAFEGUARD - ENTRY SH.	1			1
28	B-101819	SAFEGUARD - ENTRY LUL	1			1

UNLESS OTHERWISE SPECIFIED DIMENSIONS ARE IN INCHES	DATE: 7-26-79	
SEE WORKORDER FOR DIMENSIONS 1 THROUGH 4	REV: 01	
SIZE AND AX: 87	PROJ: 11300-40-4	
DATE: 08/77	REV: 01	
SIZE: 0800	PROJ: 11300-40-4	
DATE: 08/00	REV: 01	
UNLESS OTHERWISE SPECIFIED DIMENSIONS ARE IN INCHES	DATE: 8-29-99	
SEE WORKORDER FOR DIMENSIONS 1 THROUGH 4	REV: 01	
SIZE AND AX: 87	PROJ: 11300-40-4	
DATE: 08/00	REV: 01	