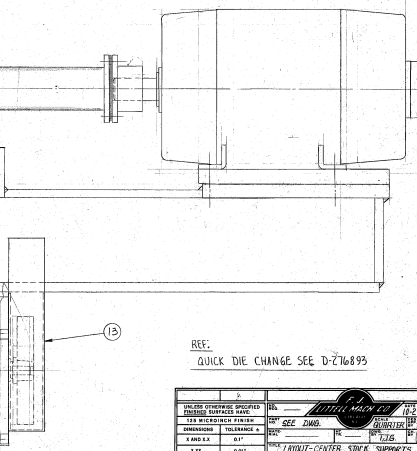
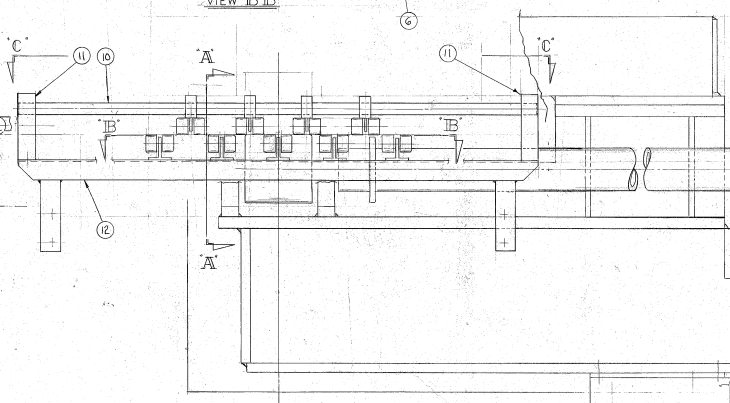
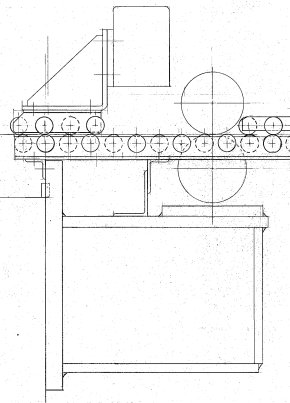
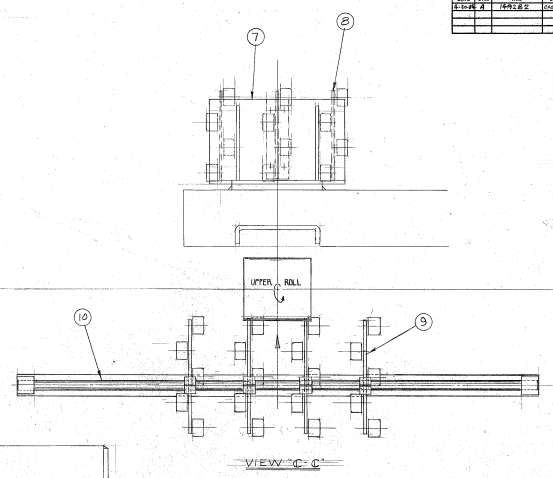
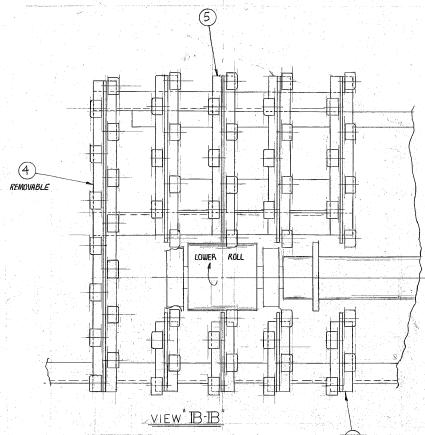
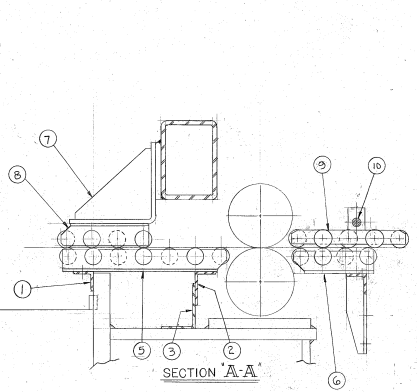


DATE	REV	BY
1-10-54	1	EMIE



ITEM	PART NO	DESCRIPTION	QTY	NO	REV
1	B-161151	FRAME- STOCK SUPPORTS- ADJUSTABLE	1		
2	B-161159	FRAME- STOCK SUPPORTS- ADJUSTABLE	1		
3	B-161120	FRAME- STOCK SUPPORTS- FIXED	1		
4	X-161116	SUPPORT-ROLLER- LOWER REMOVABLE- FRONT 14 HOLES	B-144101	1	
5	X-161115	SUPPORT-ROLLER- LOWER CENTER (L.M)	3 HOLES B-143499	4	
6	X-161117	SUPPORT-ROLLER- LOWER CENTER (R.M)	4 HOLES D-143498	4	
7	B-161123	BACKET- SUPPORT- UPPER (L.M)		1	
8	X-161122	SUPPORT-ROLLER- UPPER CENTER (L.M)	4 HOLES B-143493	3	
9	B-161124	BRACKET-ROLLER- UPPER CENTER (R.M)	6 HOLES	4	
10	X-029313	SHAFT- 1.00 DIA. 46.00 LG.	X-019057	1	
11	X-161149	BLOCK- SHAFT SUPPORT	B-149205	2	
12	X-161152	BACKET- SUPPORT (R.M)	B-161102	1	
13	B-163520	GRAND- DRUM SWITCH PULLEY		1	

REF. QUICK DIE CHANGE SEE D-216895

UNLESS OTHERWISE SPECIFIED DIMENSIONS ARE IN INCHES FRACTIONS ARE IN 16ths UNLESS OTHERWISE SPECIFIED		161124 87270-83
NAME: EMIE TITLE: GENERAL SHEET DATE: 1-10-54	161124 87270-83	161124 87270-83