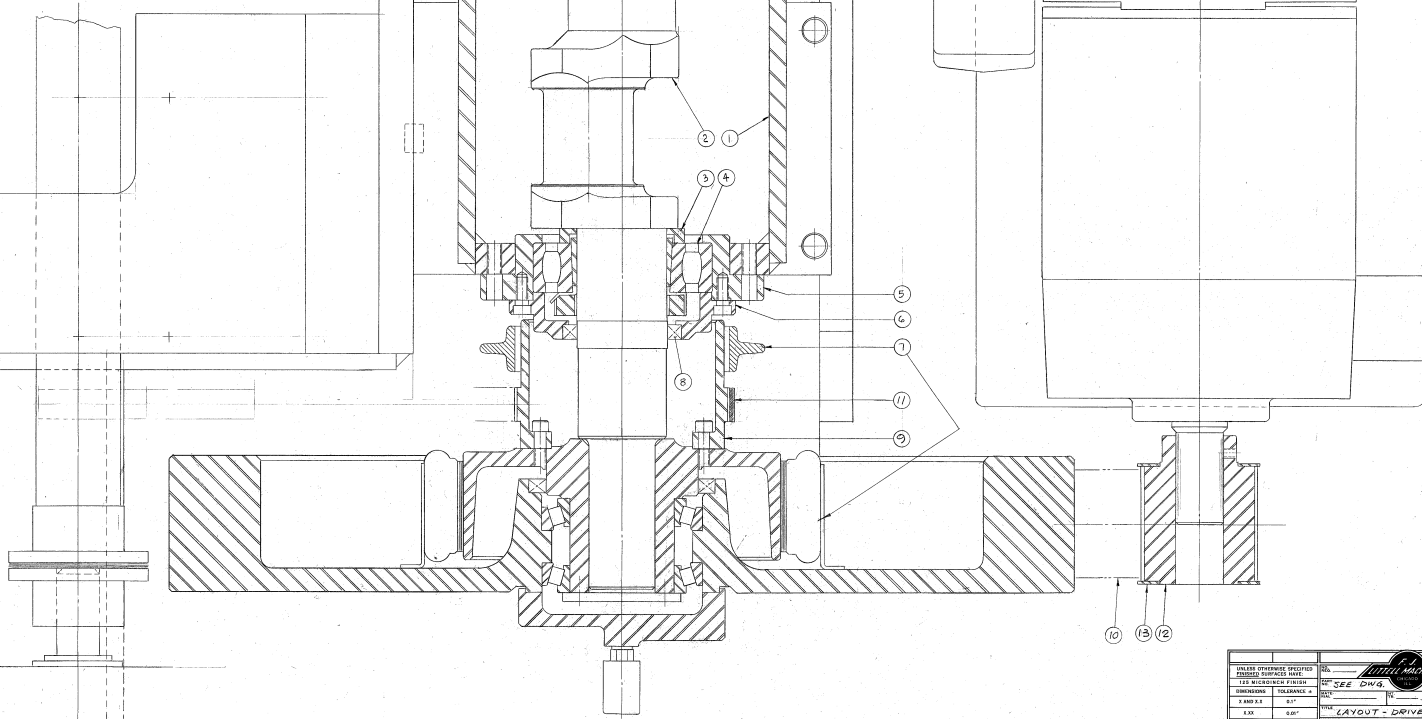


DATE	BY	CHKD	BY
JAN 1990			

QTY	PART #	DESCRIPTION	WT
1	D-12449	BEZ	1
2	D-154670	CRANKSHAFT	1
3	A-154463	SPACER - SHAFT	2
4	K-096607	BRG. HUSL. SHERR-ROL #5B-2222K-KCE-W33	2
5	K-027882	CARTRIDGE - DRG. REAR	1
6	B-27884	RETAINER - BRG. & SEAL	1
7	K-095843	CLUTCH & BRAKE "EATON AIRFLEX" #16C9500	1
		CLUTCH ELEMENT # FCS 500 BRAKE ASLY	
8	K-096019	SEAL - OIL "OIL" #39320	1
9	B-160775	PULLEY - DRUM SWITCH & BRAKE	1
10	K-094715	BELT "VARIOMAX" #3322 HATS #BUBINI-CZ	1
11	K-097216	BELT - DRUM SWITCH "HIGES STD" #B00 #1100	1
12	K-157420	PULLEY - DRIVER 9-127201	1
13	K-132540	FLANGE - PULLEY A-127881	2



UNLESS OTHERWISE SPECIFIED	FINISH	SEE DWG.	20251
ALL DIMENSIONS IN INCHES	UNLESS OTHERWISE SPECIFIED	1/16" (0.0625")	1/32" (0.03125")
1/4" (0.2500")	1/8" (0.1250")	1/16" (0.0625")	1/32" (0.03125")
1/64" (0.015625")	1/128" (0.0078125")	1/256" (0.00390625")	1/512" (0.001953125")
1/1024" (0.000244140625")	1/2048" (0.0001220703125")	1/4096" (0.00006103515625")	1/8192" (0.000030517578125")
1/16384" (0.000030517578125")	1/32768" (0.0000152587890625")	1/65536" (0.00000762939453125")	1/131072" (0.000003814697265625")
1/262144" (0.000003814697265625")	1/524288" (0.0000019073486328125")	1/1048576" (0.00000095367431640625")	1/2097152" (0.000000476837158203125")
1/4194304" (0.00000023546081125")	1/8388608" (0.000000117730405625")	1/16777216" (0.0000000588652028125")	1/33554432" (0.00000002943260140625")
1/67109760" (0.00000001846037609375")	1/134219520" (0.000000009230188046875")	1/268439040" (0.0000000046150940234375")	1/536878080" (0.00000000230754701171875")
1/107375616" (0.00000000144388251953125")	1/214751232" (0.000000000721941259765625")	1/429502464" (0.0000000003609706298828125")	1/859004928" (0.00000000018048531494140625")
1/171800960" (0.000000000585975794921875")	1/343041536" (0.000000000363734871826171875")	1/686083072" (0.0000000001818674359130875")	1/1372166144" (0.00000000009093371795654375")
1/274881536" (0.0000000003609706298828125")	1/549122304" (0.0000000002293566436768046875")	1/1098244608" (0.00000000011467832183840234375")	1/2196489216" (0.00000000005733916091921875")
1/439802368" (0.0000000003609706298828125")	1/879603776" (0.0000000002293566436768046875")	1/1759207552" (0.00000000011467832183840234375")	1/3518415104" (0.00000000005733916091921875")
1/699703552" (0.0000000003609706298828125")	1/1399407136" (0.0000000002293566436768046875")	1/2798814272" (0.00000000011467832183840234375")	1/5597628544" (0.00000000005733916091921875")
1/1079555328" (0.0000000003609706298828125")	1/2159110656" (0.0000000002293566436768046875")	1/4318221312" (0.00000000011467832183840234375")	1/8636442624" (0.00000000005733916091921875")
1/1619333120" (0.0000000003609706298828125")	1/3228969280" (0.0000000002293566436768046875")	1/6457938560" (0.00000000011467832183840234375")	1/12915877120" (0.00000000005733916091921875")
1/2428999680" (0.0000000003609706298828125")	1/4843498496" (0.0000000002293566436768046875")	1/9686996992" (0.00000000011467832183840234375")	1/19373993984" (0.00000000005733916091921875")
1/3643498496" (0.0000000003609706298828125")	1/7265247744" (0.0000000002293566436768046875")	1/14530495488" (0.00000000011467832183840234375")	1/29060990976" (0.00000000005733916091921875")
1/5465247744" (0.0000000003609706298828125")	1/10897871616" (0.0000000002293566436768046875")	1/21795743232" (0.00000000011467832183840234375")	1/43591486464" (0.00000000005733916091921875")
1/8197871616" (0.0000000003609706298828125")	1/16296803424" (0.0000000002293566436768046875")	1/32593606848" (0.00000000011467832183840234375")	1/65187213696" (0.00000000005733916091921875")
1/12296803424" (0.0000000003609706298828125")	1/24445205184" (0.0000000002293566436768046875")	1/48890410368" (0.00000000011467832183840234375")	1/97780820736" (0.00000000005733916091921875")
1/18445205184" (0.0000000003609706298828125")	1/36667807776" (0.0000000002293566436768046875")	1/73335615552" (0.00000000011467832183840234375")	1/146671231104" (0.00000000005733916091921875")
1/27667807776" (0.0000000003609706298828125")	1/55001711664" (0.0000000002293566436768046875")	1/110003423328" (0.00000000011467832183840234375")	1/220006846656" (0.00000000005733916091921875")
1/41500171664" (0.0000000003609706298828125")	1/82250343328" (0.0000000002293566436768046875")	1/164500686656" (0.00000000011467832183840234375")	1/329001373312" (0.00000000005733916091921875")
1/62250343328" (0.0000000003609706298828125")	1/123375515008" (0.0000000002293566436768046875")	1/246751030016" (0.00000000011467832183840234375")	1/493502060032" (0.00000000005733916091921875")
1/93375515008" (0.0000000003609706298828125")	1/185063270016" (0.0000000002293566436768046875")	1/370126540032" (0.00000000011467832183840234375")	1/740253080064" (0.00000000005733916091921875")
1/140063270016" (0.0000000003609706298828125")	1/270094905024" (0.0000000002293566436768046875")	1/540189810048" (0.00000000011467832183840234375")	1/1080379620096" (0.00000000005733916091921875")
1/210094905024" (0.0000000003609706298828125")	1/405142357536" (0.0000000002293566436768046875")	1/810284715072" (0.00000000011467832183840234375")	1/1620569430144" (0.00000000005733916091921875")
1/315142357536" (0.0000000003609706298828125")	1/607713536288" (0.0000000002293566436768046875")	1/1215427072576" (0.00000000011467832183840234375")	1/2430854145152" (0.00000000005733916091921875")
1/472713536288" (0.0000000003609706298828125")	1/9060703044224" (0.0000000002293566436768046875")	1/18121406088448" (0.00000000011467832183840234375")	1/36242812176896" (0.00000000005733916091921875")
1/7090703044224" (0.0000000003609706298828125")	1/13621054566336" (0.0000000002293566436768046875")	1/27242109132672" (0.00000000011467832183840234375")	1/54484218265344" (0.00000000005733916091921875")
1/106354566336" (0.0000000003609706298828125")	1/20438181800000" (0.0000000002293566436768046875")	1/40876363600000" (0.00000000011467832183840234375")	1/81752727200000" (0.00000000005733916091921875")
1/15951818180000" (0.0000000003609706298828125")	1/23942181800000" (0.0000000002293566436768046875")	1/47884363600000" (0.00000000011467832183840234375")	1/95768727200000" (0.00000000005733916091921875")
1/23942181800000" (0.0000000003609706298828125")	1/359132727200000" (0.0000000002293566436768046875")	1/718265454400000" (0.00000000011467832183840234375")	1/1436530908800000" (0.00000000005733916091921875")
1/359132727200000" (0.0000000003609706298828125")	1/5386980908800000" (0.0000000002293566436768046875")	1/10773961817600000" (0.00000000011467832183840234375")	1/21547923635200000" (0.00000000005733916091921875")
1/5386980908800000" (0.0000000003609706298828125")	1/7981973272000000" (0.0000000002293566436768046875")	1/15963946544000000" (0.00000000011467832183840234375")	1/31927893088000000" (0.00000000005733916091921875")
1/7981973272000000" (0.0000000003609706298828125")	1/11972964800000000" (0.0000000002293566436768046875")	1/23945929600000000" (0.00000000011467832183840234375")	1/47891859200000000" (0.00000000005733916091921875")
1/11972964800000000" (0.0000000003609706298828125")	1/179639516800000000" (0.0000000002293566436768046875")	1/359279033600000000" (0.00000000011467832183840234375")	1/718558067200000000" (0.00000000005733916091921875")
1/179639516800000000" (0.0000000003609706298828125")	1/269515280000000000" (0.0000000002293566436768046875")	1/539030560000000000" (0.00000000011467832183840234375")	1/1078061120000000000" (0.00000000005733916091921875")
1/269515280000000000" (0.0000000003609706298828125")	1/4042728000000000000" (0.0000000002293566436768046875")	1/8085456000000000000" (0.00000000011467832183840234375")	1/16170912000000000000" (0.00000000005733916091921875")
1/4042728000000000000" (0.0000000003609706298828125")	1/60636320000000000000" (0.0000000002293566436768046875")	1/121272640000000000000" (0.00000000011467832183840234375")	1/242545280000000000000" (0.00000000005733916091921875")
1/60636320000000000000" (0.0000000003609706298828125")	1/848484480000000000000" (0.0000000002293566436768046875")	1/1696968960000000000000" (0.00000000011467832183840234375")	1/3393937920000000000000" (0.00000000005733916091921875")
1/848484480000000000000" (0.0000000003609706298828125")	1/11313177600000000000000" (0.0000000002293566436768046875")	1/22626355200000000000000" (0.00000000011467832183840234375")	1/45252710400000000000000" (0.00000000005733916091921875")
1/11313177600000000000000" (0.0000000003609706298828125")	1/150842368000000000000000" (0.0000000002293566436768046875")	1/301684736000000000000000" (0.00000000011467832183840234375")	1/603369472000000000000000" (0.00000000005733916091921875")
1/150842368000000000000000" (0.0000000003609706298828125)	1/2011231360000000000000000" (0.0000000002293566436768046875)	1/4022462720000000000000000" (0.00000000011467832183840234375)	1/8044925440000000000000000" (0.00000000005733916091921875)
1/2011231360000000000000000" (0.0000000003609706298828125)	1/26816417280000000000000000" (0.0000000002293566436768046875)	1/53632834560000000000000000" (0.00000000011467832183840234375)	1/107265669120000000000000000" (0.00000000005733916091921875)
1/26816417280000000000000000" (0.0000000003609706298828125)	1/357553830400000000000000000" (0.0000000002293566436768046875)	1/715107660800000000000000000" (0.00000000011467832183840234375)	1/1430215321600000000000000000" (0.00000000005733916091921875)
1/357553830400000000000000000" (0.0000000003609706298828125)	1/4767384409600000000000000000" (0.0000000002293566436768046875)	1/9534768819200000000000000000" (0.00000000011467832183840234375)	1/19069537638400000000000000000" (0.00000000005733916091921875)
1/4767384409600000000000000000" (0.0000000003609706298828125)	1/63565125440000000000000000000" (0.0000000002293566436768046875)	1/127130250880000000000000000000" (0.00000000011467832183840234375)	1/254260501760000000000000000000" (0.00000000005733916091921875)
1/63565125440000000000000000000" (0.0000000003609706298828125)	1/847535008000000000000000000000" (0.0000000002293566436768046875)	1/1695070016000000000000000000000" (0.00000000011467832183840234375)	1/3390140032000000000000000000000" (0.00000000005733916091921875)
1/847535008000000000000000000000" (0.0000000003609706298828125)	1/11300466752000000000000000000000" (0.0000000002293566436768046875)	1/22600933504000000000000000000000" (0.00000000011467832183840234375)	1/45201867008000000000000000000000" (0.00000000005733916091921875)
1/11300466752000000000000000000000" (0.0000000003609706298828125)	1/150672890240000000000000000000000" (0.0000000002293566436768046875)	1/301345780480000000000000000000000" (0.00000000011467832183840	