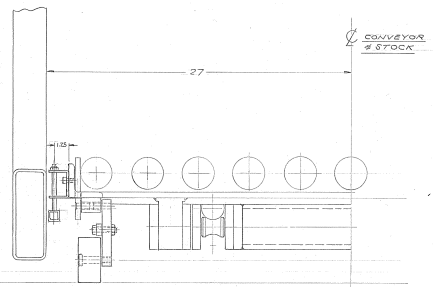
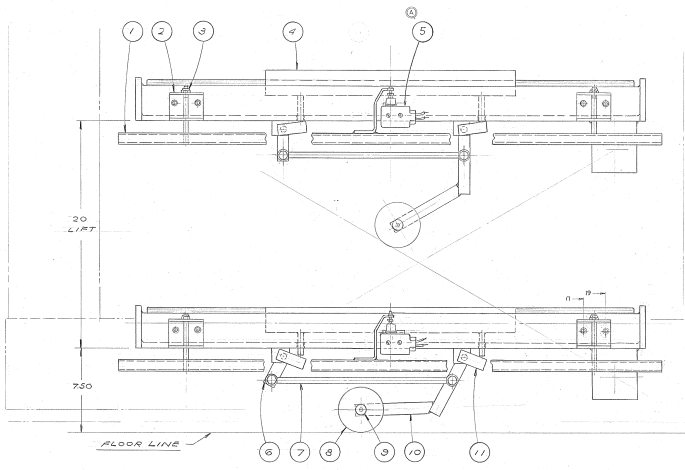


VIEW OF SWITCH & TRIP ASSY.
 FULL SCALE



ITEM	QTY	PART NO	DESCRIPTION
14	3	A-227312	ADAPTOR - SAFETY BAR-L.S.
13	13	K-028440	BUSHING 1/2" X 1/2" X 3/32"
12	6	A-181524	BLOCK - ARM SUPPORT
11	8	A-181620	ARM SUPPORT SKID STOP
10	4	B-181823	BAR SUPPORT CT WEIGHT
9	4	K-028818	SCREW SHOULDER ONLY 1/2" X 3/8"
8	4	A-181402	WHEEL WEIGHT ELEVATOR
7	4	A-181817	ROD CONNECTING
6	4	A-181821	BAR SUPPORT CONNECTOR
5	6	K-028423	WHEEL WEIGHT W/ROD
4	4	B-181825	BAR SKID STOP
3	16	K-028822	NUT 1/2" X 3/8" X 3/8"
2	13	X-227310	BRACKET SAFETY BAR ELEVATOR (1800)
1	8	X-221391	BAR SAFETY (1800)

UNITS: DIMENSIONS IN INCHES DIMENSIONS SHOWN ARE 1/16 MILITARY FINISH	
DRAWN: [Name]	DATE: 11/15/58
CHECKED: [Name]	DATE: 11/15/58
APPROVED: [Name]	DATE: 11/15/58
SCALE: AS SHOWN	PROJECT: 68140-05
DATE: 11/15/58	SHEET: 2 OF 8