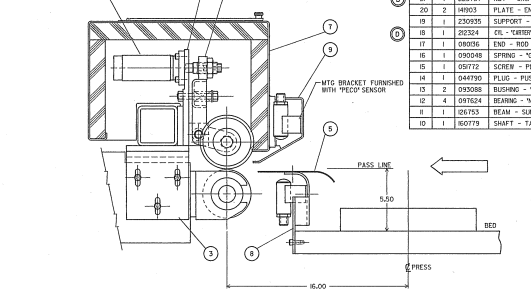
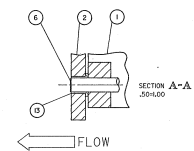
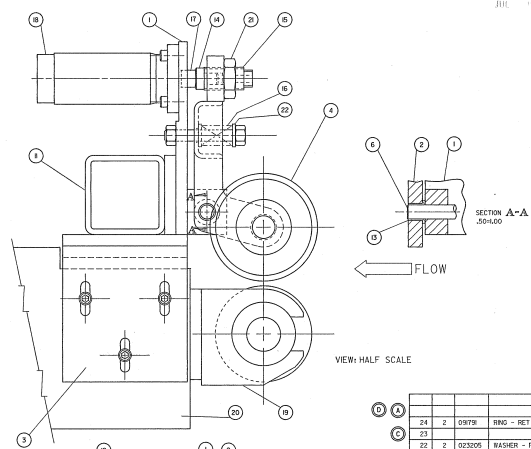
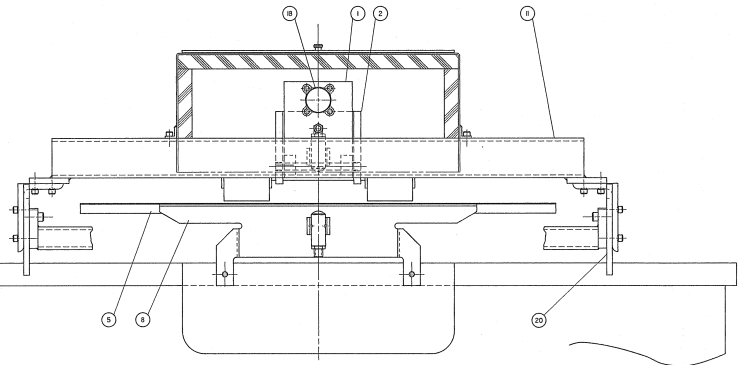
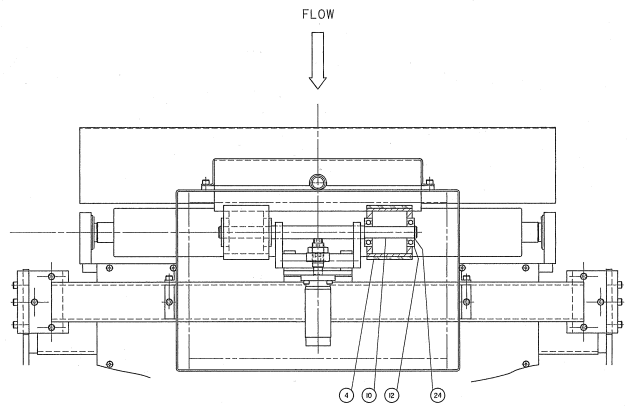


FLAG LOCATION		REVISIONS	
DATE	BY	REVISIONS	BY
02-28-87	A	ISSUE A-WHOLE	RYK
03-03-87	B	ISSUE B-100-C MOD	RYK
05-29-87	C	REMOVED ITEM 31	TJO
05-05-87	D	REMOVED ITEM 14	DRW
-	-	A BRACKET	-



QTY	PART NO	DESCRIPTION	UNIT	REVISION
24	2	09878	BRG - RET "SPINDLOK" HST-36	
23				
22	2	02305	WASHER - FLAT - STEEL	B-054600
21	1	225757	NUT - JAM SAE L00-14 SLH THD	
20	2	44003	PLATE - ENTRY CONVEYOR SIZE SUPPORT	D-44003
19	1	25000	SUPPORT - CONVEYOR - ENTRY	D-25000
18	1	20234	CL - "SERVO" HMG 3/16 DIA X .50 STR	
17	1	09036	END - ROD - AIR CYLINDER	A-09036
16	1	09038	SPRING - "SHOULDER" HOOK	
15	1	05772	SCREW - PLUG ADJ	A-05772
14	1	044730	PLUG - PUSHER	A-044730
13	2	09508	BUSHING - "MULTI" #11-T03-T	
12	4	09764	BEARING - "N6" #49965 L043 D X .2449 DD X .6633	
11	1	024753	BEAM - SUPPORT	C-024753
10	1	060779	SHAFT - TAKE AWAY WHEEL	B-060779

QTY	PART NO	DESCRIPTION	UNIT	REVISION		
9	1	23084	BRACKET - DEFLECTOR & SENSOR MTG	C-23084		
8	1	23085	BRACKET - MTG DEFLECTOR-SENSOR	C-23085		
7	1	23083	ENCLOSURE - ELECTRICAL	D-23083		
6	1	06379	SHAFT - HAND LFTER	B-06380		
5	1	23086	DEFLECTOR - ENTRY CONVEYOR	B-23086		
4	2	02405	WHEEL - TAKE AWAY	B-02405		
3	2	02454	BRACKET - BEAM SUPPORT	B-02454		
2	2	07736	LEVER - TAKE AWAY WHEELS	B-07736		
1	1	07734	BRACKET - TAKE AWAY WHEEL	B-07734		
DT	NO	QTY	PART NO	DESCRIPTION	UNIT	REVISION

UNLESS OTHERWISE SPECIFIED		MATERIAL		FINISH		TOLERANCES UNLESS OTHERWISE SPECIFIED		DIMENSIONS UNLESS OTHERWISE SPECIFIED		STRAIGHTNESS UNLESS OTHERWISE SPECIFIED		SURFACE FINISH UNLESS OTHERWISE SPECIFIED		THREADS UNLESS OTHERWISE SPECIFIED		KEYWAYS UNLESS OTHERWISE SPECIFIED		HOLE LOCATIONS UNLESS OTHERWISE SPECIFIED		HOLE DRILLING UNLESS OTHERWISE SPECIFIED	
ASSEMBLY	GENERAL	ASSEMBLY	GENERAL	ASSEMBLY	GENERAL	ASSEMBLY	GENERAL	ASSEMBLY	GENERAL	ASSEMBLY	GENERAL	ASSEMBLY	GENERAL	ASSEMBLY	GENERAL	ASSEMBLY	GENERAL	ASSEMBLY	GENERAL	ASSEMBLY	GENERAL
ASSEMBLY	GENERAL	ASSEMBLY	GENERAL	ASSEMBLY	GENERAL	ASSEMBLY	GENERAL	ASSEMBLY	GENERAL	ASSEMBLY	GENERAL	ASSEMBLY	GENERAL	ASSEMBLY	GENERAL	ASSEMBLY	GENERAL	ASSEMBLY	GENERAL	ASSEMBLY	GENERAL
ASSEMBLY	GENERAL	ASSEMBLY	GENERAL	ASSEMBLY	GENERAL	ASSEMBLY	GENERAL	ASSEMBLY	GENERAL	ASSEMBLY	GENERAL	ASSEMBLY	GENERAL	ASSEMBLY	GENERAL	ASSEMBLY	GENERAL	ASSEMBLY	GENERAL	ASSEMBLY	GENERAL