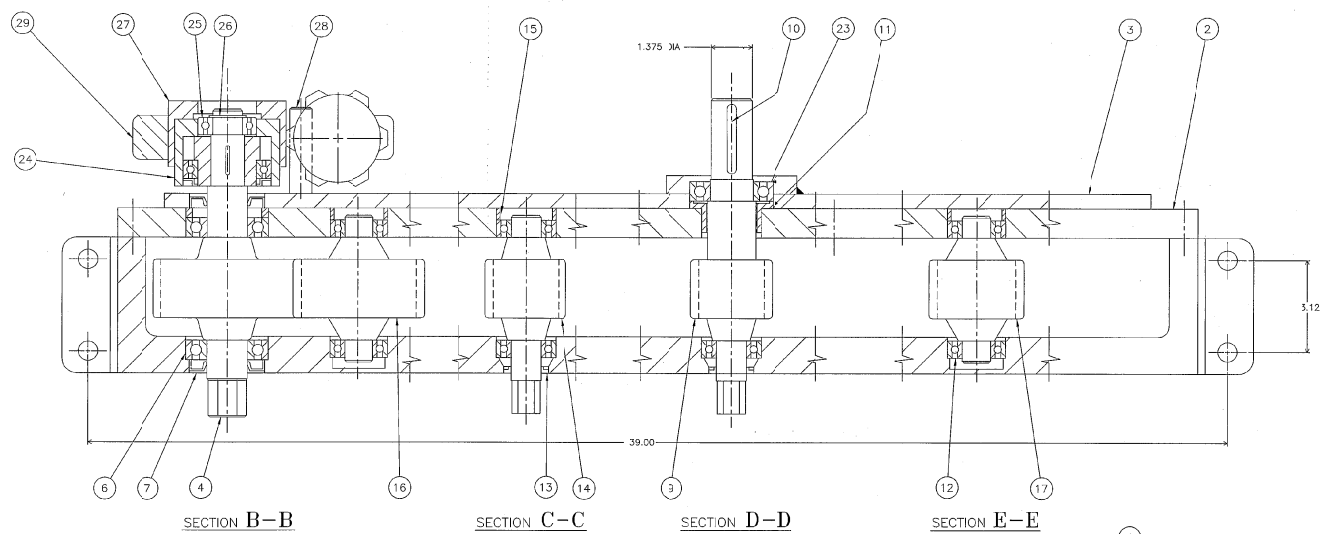
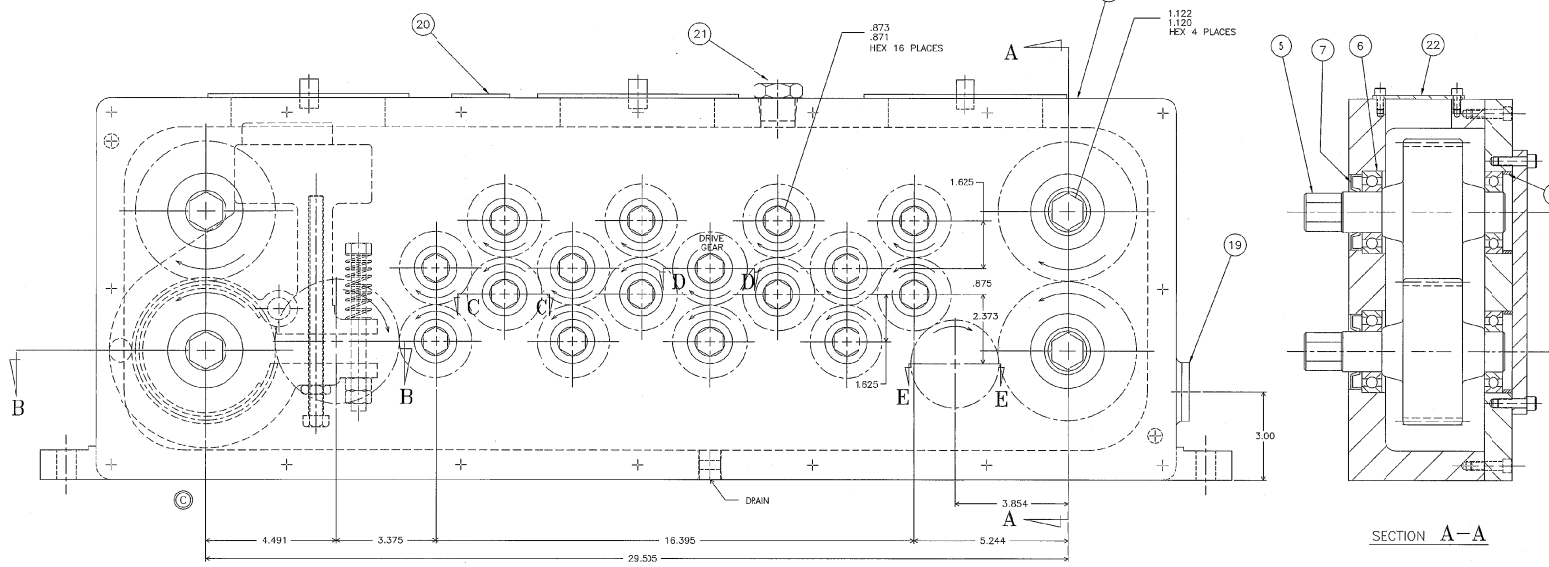


REF: D-080795

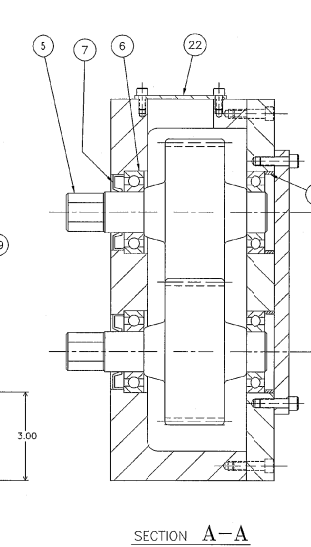
DATE	SYM	WAS	BY
01-28-84	A	9. SECQ	ML
01-29-84	B	ADDED	ML
04-25-84	C	REMOVED KEY	JLG
04-25-84	D	REMOVED PLUG	JLG
07-11-84	E	"CR" #417102	
		TOP HES	SK
07-23-84	F	ADDED BREATHR	JLG
11-1-82	G	ADDED	NDN



SECTION B-B SECTION C-C SECTION D-D SECTION E-E



← FEED DIRECTION



SECTION A-A

FOR METRIC SEE D-302444

DET NO	QTY	PART NO	DESCRIPTION	DRAW'G NO
29	1	092413	BRAKE - "FAWICK" TYPE CS, EL #4CS150 FRM	CSB01
27	1	059827	STUD - BRAKE	A-059827
28	1	059826	SLEEVE - BRAKE	B-059826
26	1	091270	RING - RET "VALDES" #5100-98	
25	1	091269	BRG - BALL "N.D." #1499505	
24	1	091175	CAM - CLUTCH "MORE" #HT20	

PARTS LIST (ANTI-BACKUP)

DET NO	QTY	PART NO	DESCRIPTION	DRAW'G NO
23	1	091472	BRG - BALL "N.D." #99507	
22	3	049519	COVER - GEAR BOX	A-049519
21	1	237433	BREATHR "McMASTER-CARR" #9633K13 1 W/T	
20	1	028441	PLATE - OIL IDENTIFICATION	A-028441
19	1	091250	GAUGE - OIL LEVEL "MITS" #4031	
18				
17	1	049074	GEAR - IDLER 3.00 PD. 24 T	B-049074
16	1	049073	GEAR - IDLER 4.25 PD. 34 T	B-049073
15	17	049072	SPACER - BRG	B-040858
14	15	049071	GEAR - ROLL 2.50 PD. 20T	B-049071
13	16	091519	SEAL - OIL "NATIONAL" #472324E TYPE BU47D	
12	35	091760	BRG - BALL "N.D." #3205	
11	1	049070	SPACER - DRIVE GEAR	A-049070
10	1	057804	KEY - FEATHER	B-055000
9	1	049069	GEAR - DRIVE 2.50 PD. 20 T	B-049069
8	4	049068	SPACER - BRG	A-049068
7	5	092254	SEAL - OIL "C.R." #11875	
6	8	092086	BRG - BALL "N.D." #3207	
5	3	049067	GEAR - PINCH ROLL :BT	B-049067
4	1	049066	GEAR - PINCH ROLL & BRAKE 3BT	C-049066
3	1	049064	PLATE - RET - GEAR BOX	C-049064
2	1	049063	COVER - GEAR BOX	C-049063
1	1	039201	BOX - GEAR	D-039201

UNLESS OTHERWISE SPECIFIED FINISHED SURFACES HAVE: 125 MICRO INCH FINISH

ENGINEERING NOTE: THIS LAYOUT DRAWING SHOWS GEAR BOX PARTS WITH ANTI-BACK UP BRAKE. IF NOT USING ANTI-BACK UP BRAKE, USE LAYOUT DRAWING D-273654.

DATE: 07/22/92
 DSK: JES
 TITLE: LAYOUT - GEAR BOX & ANTI-BACKUP PARTS
 MACHINE: #438-16 PD STA MACHINE
 SCALE: 30x1.00

LITTELL
 VERNON INTERNATIONAL GROUP INC.
 PART NO. D-039200
 SHT 1 OF 1