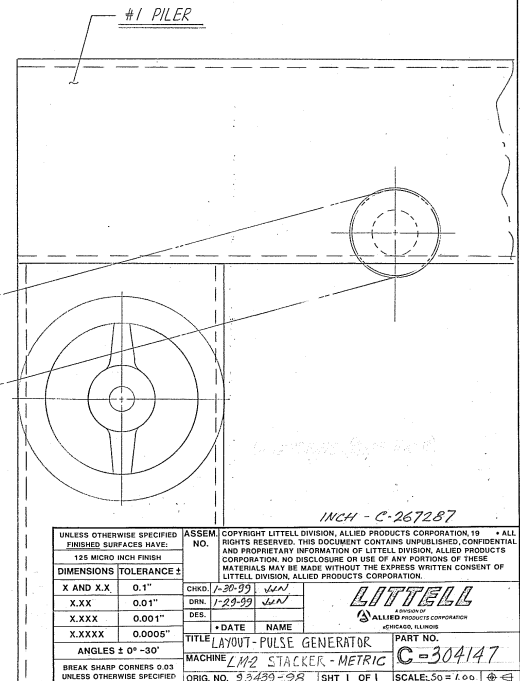
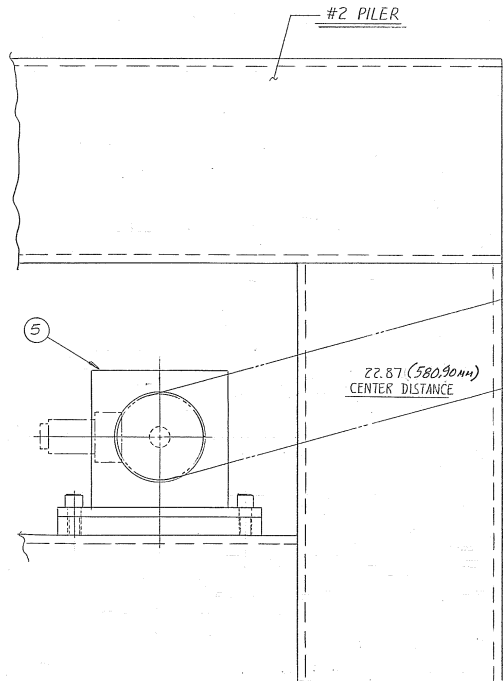
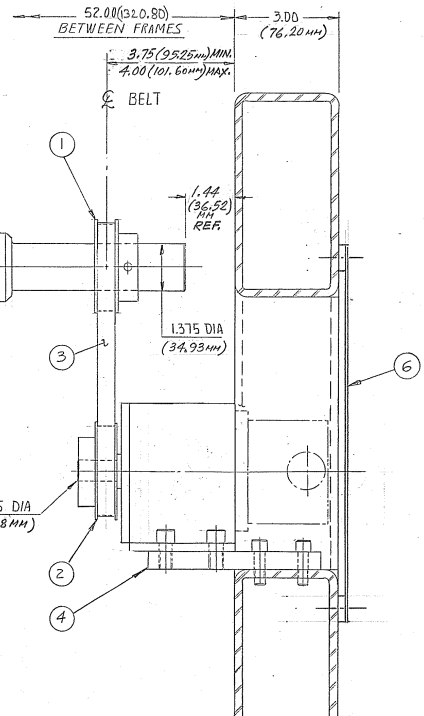
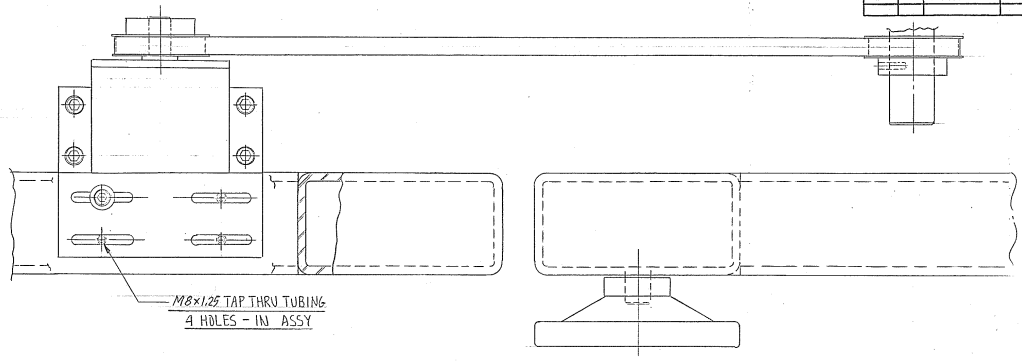


| FILING LOCATION C-304147 |    |     |    |
|--------------------------|----|-----|----|
| REVISONS                 |    |     |    |
| DATE                     | BY | WHY | BY |
|                          |    |     |    |
|                          |    |     |    |

| ITEM N <sup>o</sup> | PART N <sup>o</sup> | DESCRIPTION                         | N <sup>o</sup> REQ. |
|---------------------|---------------------|-------------------------------------|---------------------|
| 1                   | K-094281            | SPROCKET "MORSE" #22L050 1.375 BORE | 1                   |
| 2                   | K-264851            | SPROCKET "MORSE" #22L050 .625 BORE  | 1                   |
| 3                   | K-094283            | BELT "MORSE" #540L050               | 1                   |
| 4                   | A-285970            | PLATE - MOUNTING - METRIC           | 1                   |
| 5                   | SEE RECORDS         | PULSE GENERATOR "UNICO"             | 1                   |
| 6                   | B-294216            | PLATE-COVER PULSE GEN.              | 1                   |



INCH - C-267287

|  |                                |  |
|--|--------------------------------|--|
| UNLESS OTHERWISE SPECIFIED FINISHES SURFACES HAVE: 125 MICRO INCH FINISH | ASSEM NO.                      | COPYRIGHT LITTELL DIVISION, ALLIED PRODUCTS CORPORATION 1968. ALL RIGHTS RESERVED. THIS DOCUMENT CONTAINS UNPUBLISHED CONFIDENTIAL AND PROPRIETARY INFORMATION OF LITTELL DIVISION, ALLIED PRODUCTS CORPORATION. NO DISCLOSURE OR USE OF ANY PORTIONS OF THESE MATERIALS MAY BE MADE WITHOUT THE EXPRESS WRITTEN CONSENT OF LITTELL DIVISION, ALLIED PRODUCTS CORPORATION. |
| DIMENSIONS TOLERANCE ±   | CHKD 1-26-59 JLN               | <br>LITTELL<br>DIVISION OF<br>ALLIED PRODUCTS CORPORATION<br>CHENAI, ILLINOIS  |
| X AND X.X 0.1"   | DES. 1-29-59 JLN               |  |
| X.XXX 0.01"  | DATE NAME                      |  |
| X.XXXX 0.0005"   |                                |  |
| ANGLES ± 0° - 30° UNLESS OTHERWISE SPECIFIED                             | TITLE LAYOUT - PULSE GENERATOR | PART NO.   |
| BREAK SHARP CORNERS 0.03 UNLESS OTHERWISE SPECIFIED                      | MACHINE L42 STACKER - METRIC   | C-304147   |
|  | ORIG. NO. 93430-98             | SCALE: 50 = 1.00   |