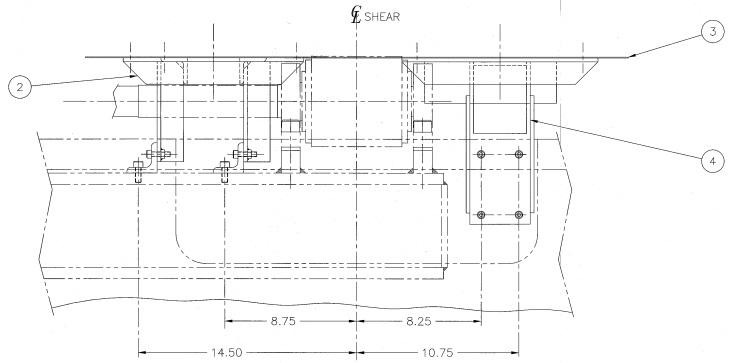
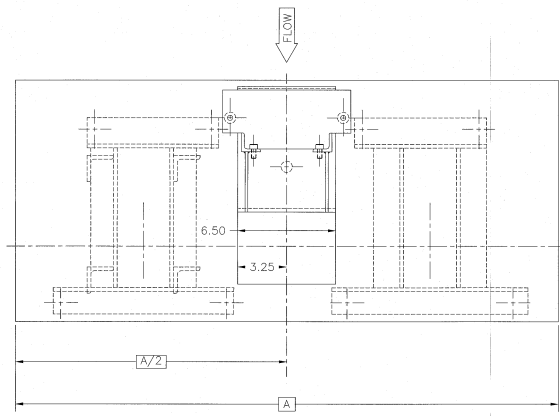
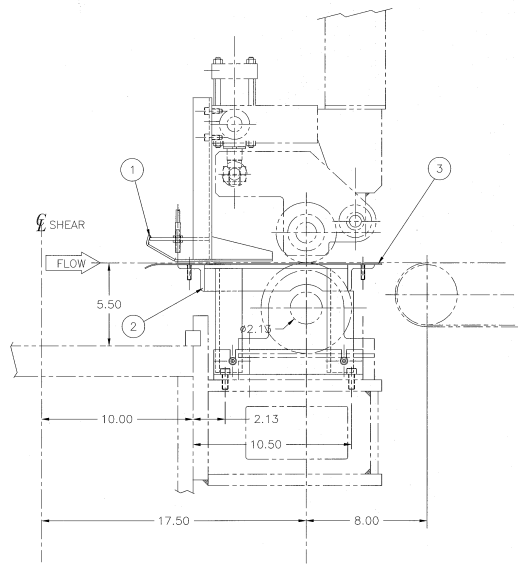


DATE	SYM.	WAS	BY
		D-287827	

FOR L-R SEE C-315969



54"	50.00	309917
40"	36.00	309092
MAT'L WIDTH	A	B

4	1	287369	BRACKET - TAKE AWAY SUPPORT R.H.	C-287369
3	1	B	DEFLECTOR - TAKE AWAY ROLL	B-284205
2	1	309091	BRACKET - TAKE AWAY SUPPORT L.H.	C-309091
1	1	309089	DEFLECTOR - TAKE AWAY ROLL UPPER	C-309089
DET	QTY	PART No	DESCRIPTION	DWG No

COPYRIGHT VERNON INTERNATIONAL GROUP INC. ALL RIGHTS RESERVED. THIS DOCUMENT CONTAINS UNPUBLISHED CONFIDENTIAL AND PROPRIETARY INFORMATION OF VERNON INTERNATIONAL GROUP INC. NO DISCLOSURE OR USE OF ANY PORTIONS OF THESE MATERIALS MAY BE MADE WITHOUT THE EXPRESS WRITTEN CONSENT OF VERNON INTERNATIONAL GROUP INC.

ORG: 11.01.99 M.S.
 DES: 10.28.99 M.S.
 DES.
 DATE: NAME: VERNON INTERNATIONAL GROUP INC.
 TITLE: LAYOUT - EXT STOCK SUPPORT ELECT. DRIVEN TAKE AWAY ROLLS
 PART NO: C-309090
 MACHINE: LM-2E STACKER
 GRP. NO. 04020-89 SHT 1 OF 1 SCALE: 25:1.00



PARTS LIST