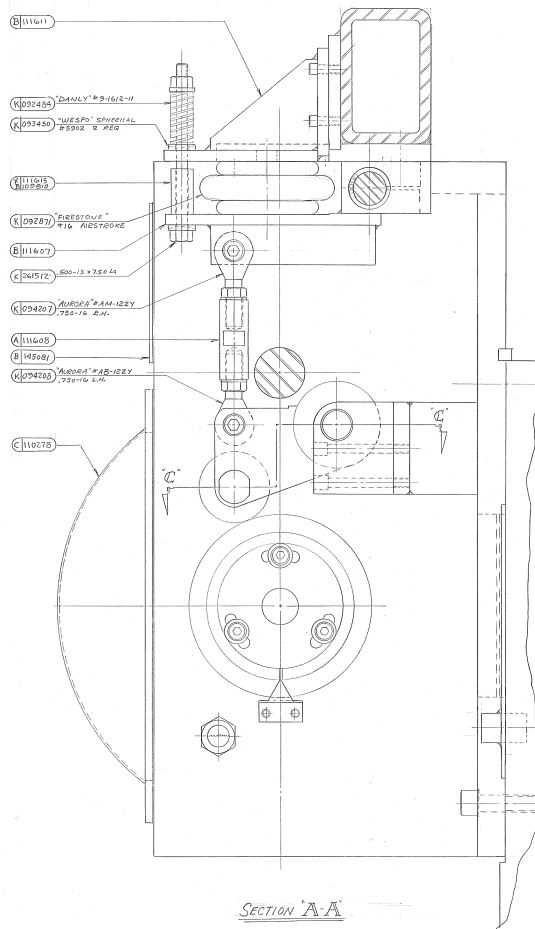
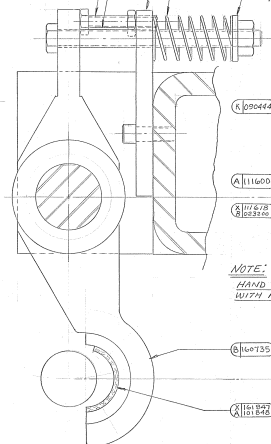


MODIFIER: _____
 OCT 1987

PLATE SECTION			REVISED	BY	CHKD
NOV	REV	NOV	BY		
	22	22	BY		
	23	23	BY		
	24	24	BY		
	25	25	BY		

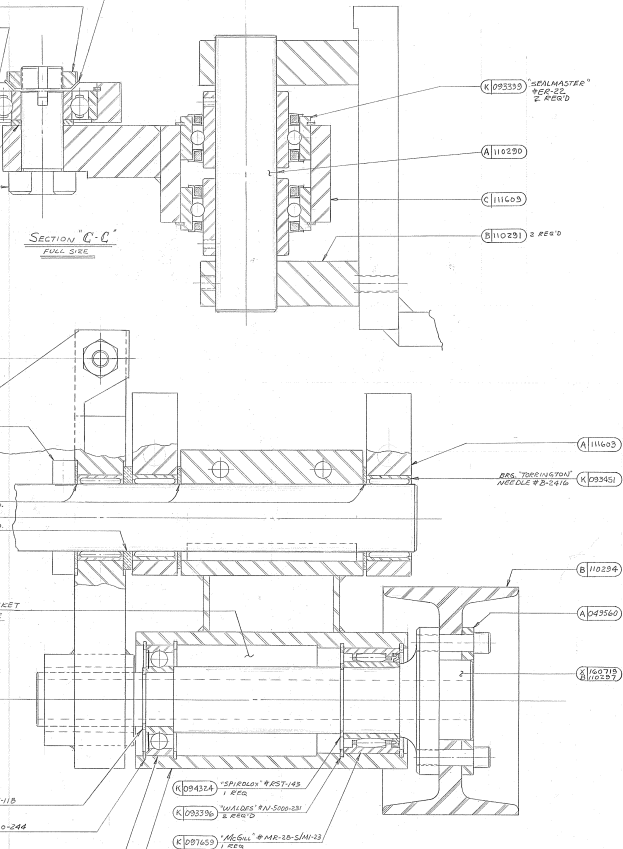


HEX HEAD COP SCREW
 .35-16 x 1.65 LK
 LITTELL # 715004



SECTION 'C-C'
 FULL SIZE

SECTION 'B-B'
 FULL SIZE



UNLESS OTHERWISE SPECIFIED FINISH SURFACES PER 12.5 MICRON RMS		DIA H9/D9		R9/D9		H8/D8	
DIMENSIONAL TOLERANCES		SURFACE		H10/D10		H9/D9	
R MAX		R9		H10/D10		H9/D9	
R MIN		R1		H10/D10		H9/D9	
ANGLE		30°		H10/D10		H9/D9	
SHAFT CHAMFERS USE UNLESS OTHERWISE SPECIFIED		2		R9		H10/D10	

D. 216712
 BB/33-84
 2