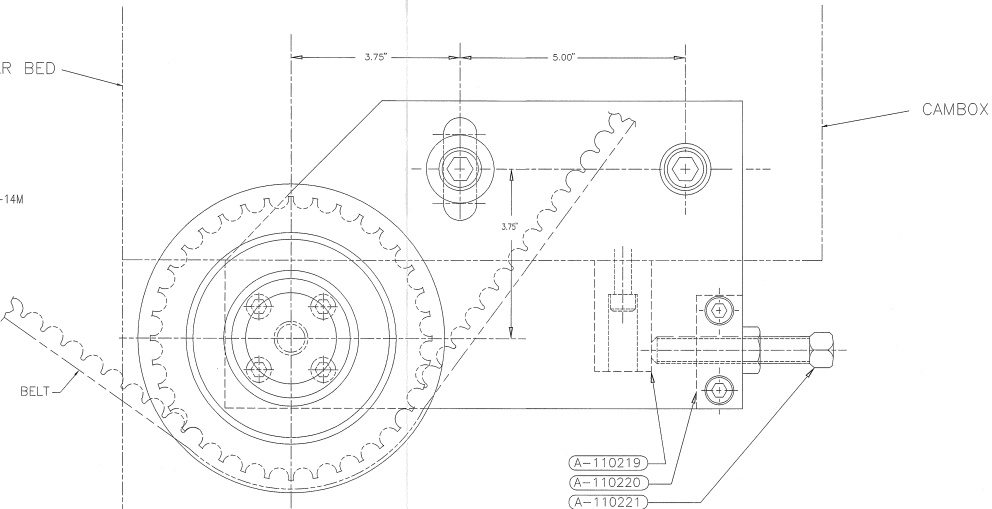


- B-216753
- X-023213
- B-034600
- X-211909 P36-14M
- C-211935
- K-093387
- Z REQ
- K-090071
- X-216752
- B-110216
- X-223393
- B-223390
- 2 REQ'D



- A-110219
- A-110220
- A-110221

Copyright Verdon International Group Inc. All Rights Reserved. This drawing is the property of Verdon International Group Inc. and may not be reproduced or used in any form without the written permission of Verdon International Group Inc. in Canada, Mexico, Central or South America, Europe, Asia and Africa.

DATE: 7/77/94
 DESIGNED BY: LJM
 DRAWN BY: LJM
 CHECKED BY: LJM
 TITLE: 1000" - 200" TYPE-CUP MOUNTING
 PART NO.: D-216713
 WORKING DRAWING

VERDON INTERNATIONAL GROUP INC.
 1000" - 200" TYPE-CUP MOUNTING
 D-216713

DATE: 7/77/94
 SCALE: FULL