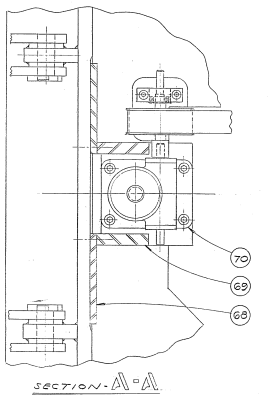
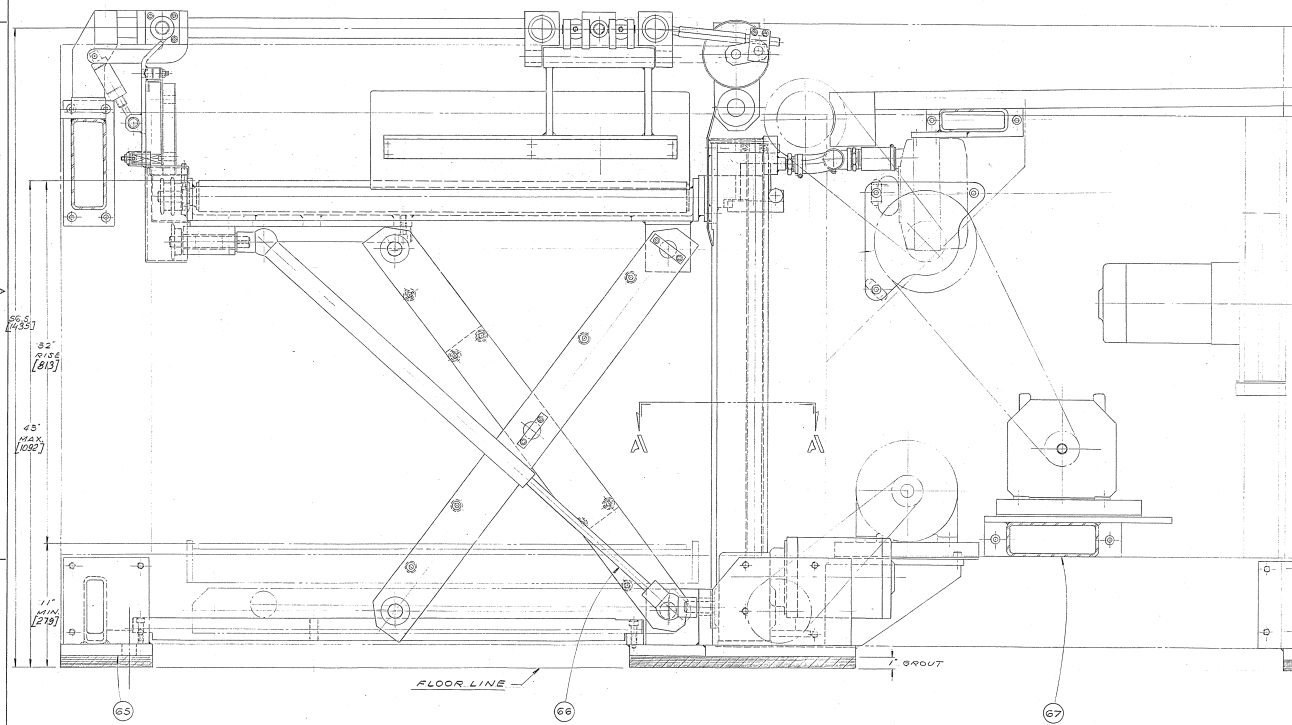


REVISIONS		
DATE	BY	APP



SECTION - A-A

CONTINUED ON SHEET "3"

70	1	A72J1820	WHEEL-DRUM-VACTIONE DESIGN
61	2	X 228024	BEARING-ROCKER SH-52R (1/8")
62	2	X 228025	PLATE-SIDE-STACK ELEV.
63	2	X 228026	PLATE-FRONT-STACK ELEV.
67	1	S 284666	CRACKLE-MOTOR MFG.
68	1	S 225021	COUPLING-SHAFTS (1/8")
69	1	C 285641	BEAM-TIE-ELEVATOR #4

ITEM REQD	PART NO.	DESCRIPTION
(CONTINUED FROM SHEET #1)		
UNLESS OTHERWISE SPECIFIED	USE	AS SHOWN
FINISH UNLESS SPECIFIED	USE	AS SHOWN
USE METRIC SYSTEM	UNLESS	OTHERWISE SPECIFIED
DIMENSIONS	TOLERANCE	UNLESS OTHERWISE SPECIFIED
FINISH	UNLESS	OTHERWISE SPECIFIED
ANGLE	UNLESS	OTHERWISE SPECIFIED
SCALE	UNLESS	OTHERWISE SPECIFIED
UNLESS OTHERWISE SPECIFIED	USE	AS SHOWN
UNLESS OTHERWISE SPECIFIED	USE	AS SHOWN

19197-95 D 287402 2 3