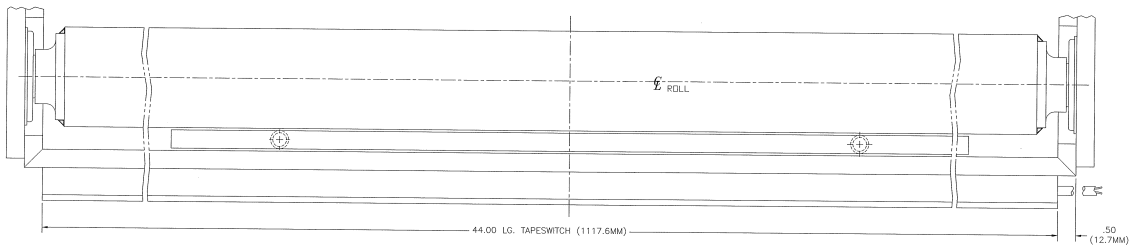
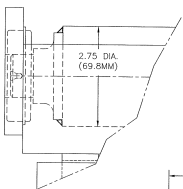
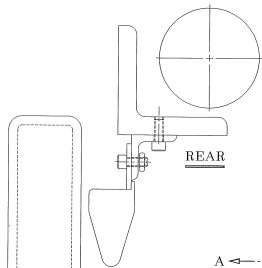


ITEM	PART NO.	DESCRIPTION	QTY
1	K-091440	BUSHING-"OILITE" -FF-620-2	16
2	K-248460	SWITCH-"TAPESWITCH" SENSING EDGE #TS-9	6
3	A-288699	BAR - SUPPORT - CONNECTOR	4
4	B-151525	BAR - SKID STOP	4
5	A-151524	BLOCK - ARM SUPPORT	8
6	A-151520	ARM SUPPORT - SKID STOP	8
7	A-151517	ROD - CONNECTING	4
8	A-154062	WHEEL - WEIGHT - ELEVATOR	4
9	K-095919	SCREW-SHOULDER "DANLY" 9-1014-56	4
10	B-288000	BAR - SUPPORT - CT WEIGHT	4
11	B-288656	ANGLE - TAPESWITCH MFG.	24



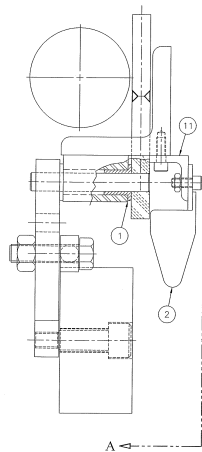
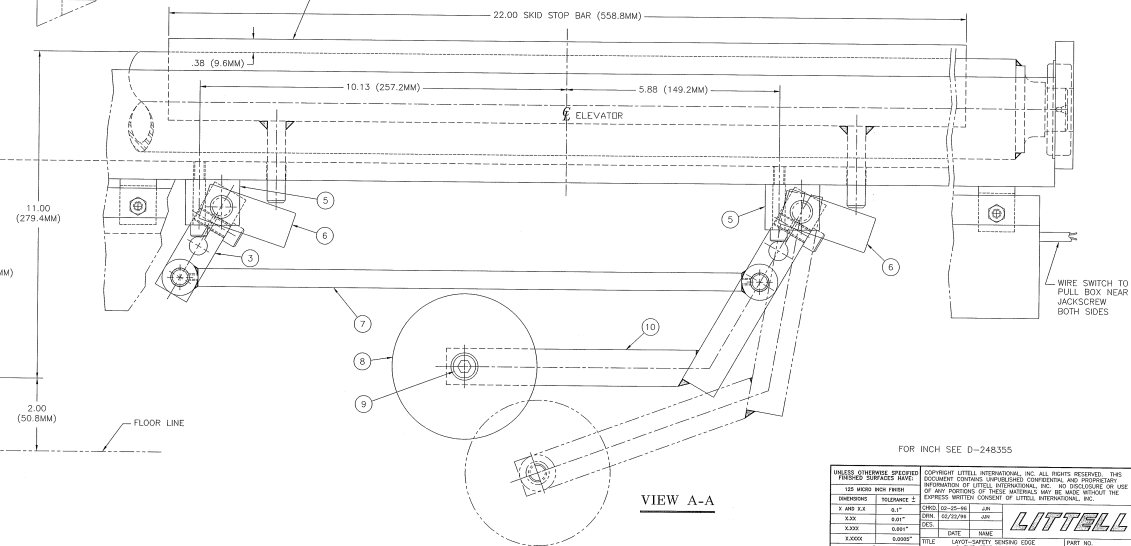
ASSEMBLY AS SHOWN IS MOUNTED ON FRONT OF STACKER (OPERATORS SIDE)
FOR REAR PALLET DISCHARGE REVERSE ENTIRE ASSEMBLY

← DIRECTION OF SHEET TRAVEL



A ←

4 MOUNT SKID STOPS ON DISCHARGE SIDE



FRONT

VIEW A-A

FOR INCH SEE D-248355

<p>PLEASE REFER TO SPECIFICATIONS AND DRAWINGS FOR MATERIAL SPECIFICATIONS AND DIMENSIONS. THE INFORMATION IS SUBJECT TO CHANGE WITHOUT NOTICE. LITTELL INTERNATIONAL, INC. ALL RIGHTS RESERVED. THIS DOCUMENT CONTAINS UNPUBLISHED CONFIDENTIAL AND PROPRIETARY INFORMATION OF LITTELL INTERNATIONAL, INC.</p>	
1/8" WOOD BLOCK PRINTING	
<p>PRINTED BY: LITTELL INTERNATIONAL, INC. DATE: 02-25-85</p>	
SCALE: 1/4" = 1"	DATE: 02-25-85
DRAWN BY: JPP	DATE: 02-25-85
CHECKED BY: JPP	DATE: 02-25-85
APPROVED BY: JPP	DATE: 02-25-85
<p>TITLE: LIFT/SWITCH SENSING EDGE</p>	
<p>PART NO: D-2874(0)</p>	
<p>SCALE: 3/8" = 1" (1/4" = 1" IF 1/4")</p>	
<p>BREAK SHARP CORNERS 0.125" UNLESS OTHERWISE SPECIFIED</p>	

LITTELL