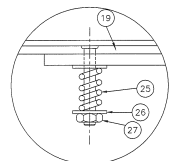
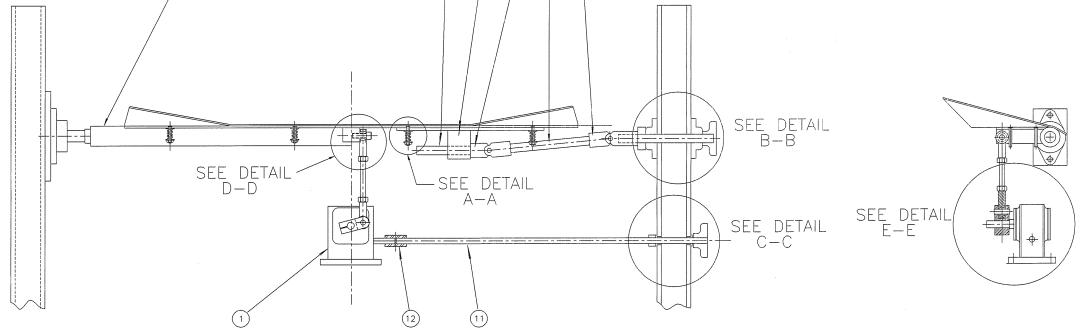
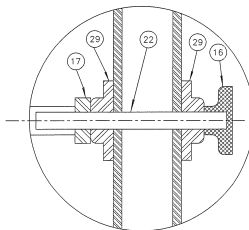


REAR SIDE FRAME

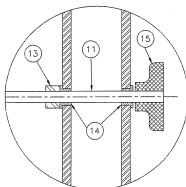
FRONT SIDE FRAME



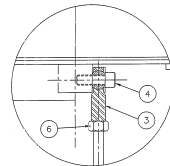
DETAIL A-A



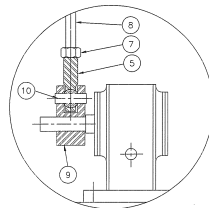
DETAIL B-B



DETAIL C-C



DETAIL D-D



DETAIL E-E

ITEM	PART #	DESCRIPTION	(DWG #)	TOTAL SHOWN
1	H-094118	REDUCER "TRISTON" GEAR WORKS" #213A 50:1		1
2	H-092078	BEARING "TEALMISTEP" #97T-18 (1.00 DIA)		2
3	H-094757	ROD END "SPHERO" #RFL-7N (4.38-20 L.H.) FEMALE		1
4	H-227728	SCREW SOCKET HEAD CAP (4.38-14 X 1.25 LG.)		1
5	H-093179	ROD END "SPHERO" #R-7N (4.38-20 R.H.) FEMALE		1
6	K-222295	NUT (4.38-20 L.H.)		1
7	K-225706	NUT (4.38-20 R.H.)		1
8	B-136630	ROD CONNECTING (4.38-20 X 9.25 LG.)		1
9	B-286536	CLEVIS PIVOT		1
10	X-138631	ROD PIVOT (4.38 X 1.38 LG.)	B-010569	1
11	X-031462	SHAFT ADJUSTING KNOB (50 DIA X 27.50 LG.)	B-031806	1
12	K-092370	COUPLING "LOVEJOY" #U-R25 (500 DIA NO KEYWAYS)		1
13	K-090437	COLLAR "HALLOWELL" (500 DIA)		1
14	K-092508	BUSHING "TOLITE" #FF-707-5 (500 ID X 750 OD X 5.50 LG)		2
15	K-094752	KNOB "BALCRANH" #H42306 (500 DIA BORE)		1
16	K-097755	KNOB "BALCRANH" #H42306 (750 DIA BORE)		1
17	K-090162	COLLAR "HALLOWELL" (750 BORE)		2
18	C-158484	PLATE LAPPING		1
19	A-279483	STRAP TIE		1
20	C-158843	SHAFT LAPPING PLATE PIVOT		1
21	B-158845	BRACKET SLIDE ADJUSTMENT		1
22	Y-083101	SHACK HANDLECEL (750 DIA X 7.50 LG)	B-032116	2
23	H-158948	ROD ADJUSTING	B-019842	1
24	H-092432	SPRING "DANLY" #B-0804-11 (251 ID X 50 OD X 1.00 LG)		6
25	K-202854	FLAT WASHER (250 ID)		12
26	K-097753	NUT "MILOK" TORO-PATCH #P8854202		6
27	K-097754	UNIVERSAL JOINT "LOVEJOY" #UJ-10 (750 DIA BORES)		2
28	K-094713	BEARING "TUBE ALIGN" #11-1224-16 (750 DIA)		2

Copyright © 1997, LITTELL INTERNATIONAL GROUP INC. ALL RIGHTS RESERVED. THE COMPANY CONCEPTS, DIMENSIONS, CONFIGURATION AND MATERIAL INFORMATION OF THESE DRAWINGS ARE THE PROPERTY OF LITTELL INTERNATIONAL GROUP INC. NO PORTION OF ANY OF THESE DRAWINGS ARE TO BE REPRODUCED OR TRANSMITTED IN ANY FORM OR BY ANY MEANS WITHOUT THE EXPRESS WRITTEN CONSENT OF LITTELL INTERNATIONAL GROUP INC.

DATE: 3-3-97 TIG
 DATE: 3-3-97 LIG
 DES: _____

FILE: _____ PART NO. 287413
 MACHINE BY: STRUCKER (R610)
 DRAWN BY: _____
 DES. NO. 91938 SHEET 1 OF 1 SCALE:

LITTELL
 INTERNATIONAL GROUP INC.