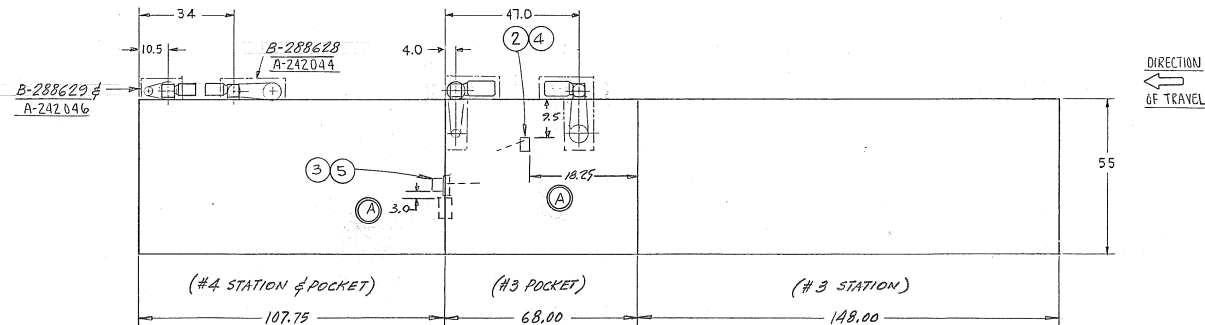
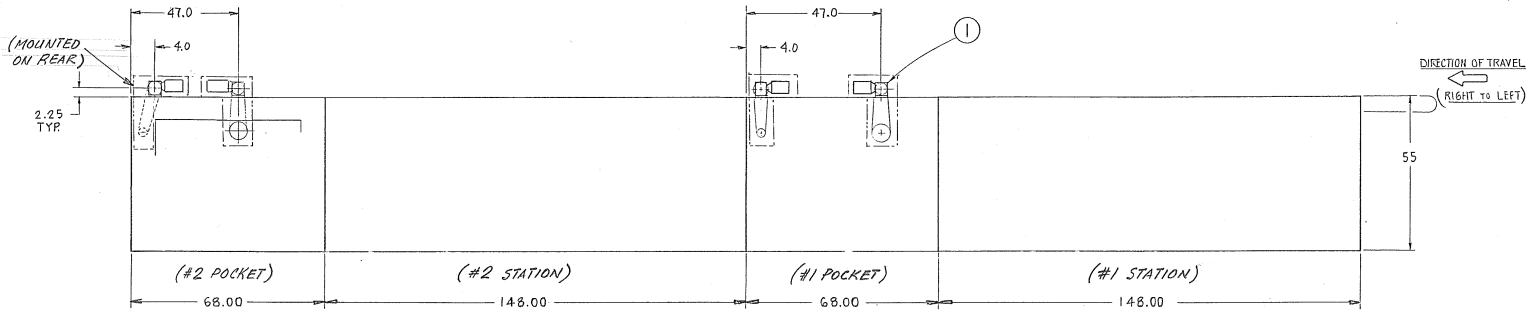


FOR L-R SEE C-287404

PLANT LOCATION C-287417			
DATE	SYM	WAS	BY
2/10/03	A	ADDED DIMS	DD/MS



ITEM*	PART NO.	DESCRIPTIONS	NO. REQ.
5	X-279444	PLATE - MOUNTING - BACK (B-140301)	1
4	A-279448	PLATE - MOUNTING - SIDE	1
3	K-278556	TRANSDUCER "UNIMÉASURE" # P-30A	1
2	K-278555	TRANSDUCER "UNIMÉASURE" # P-10A	1
1	K-233647	REDUCER - "BROWN" SIDE TYP B, HORIZONTAL BASE, 20:1 RATIO INCLUDING MOTOR "MOTOR" A CUTS 5/8" HP, 1750 RPM, 4.7 C.F., 3000 DIA SHAFT	8

NOTE:

ALL REDUCERS & TRANSDUCERS
MOUNTED ON FRONT SIDE OF MACHINE
EXCEPT AT POCKET #2

UNLESS OTHERWISE SPECIFIED FINISHED SURFACES HAVE:		COPYRIGHT VERNON INTERNATIONAL GROUP INC. ALL RIGHTS RESERVED. THIS DOCUMENT CONTAINS UNPUBLISHED CONFIDENTIAL AND PROPRIETARY INFORMATION OF VERNON INTERNATIONAL GROUP INC. NO DISCLOSURE OR USE OF ANY PORTIONS OF THESE MATERIALS MAY BE MADE WITHOUT THE EXPRESS WRITTEN CONSENT OF VERNON INTERNATIONAL GROUP INC.	
125 MICRO INCH FINISH			
DIMENSIONS	TOLERANCE ±	CHG. (2-26-97)	TSC
X AND XX	0.1"	DRN. (2-25-97)	JUN
XXX	0.01"	DES.	
XXXX	0.001"	DATE	NAME
XXXXX	0.0005"	VERNON INTERNATIONAL GROUP INC.	
ANGLES ± 0° 30'		TITLE LAYOUT - LOCATION OF REDUCERS & TRANSDUCERS	
BREAK SHARP CORNERS 0.03 UNLESS OTHERWISE SPECIFIED		MACHINE BR-STACKER BL (METRIC)	
		ORIG. NO. 91989-96	SHT 1 OF 1

LITTELL

PART NO. C-287417

SCALE: 3/2=10