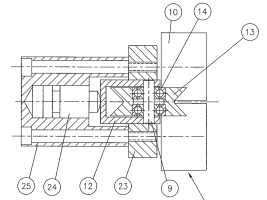
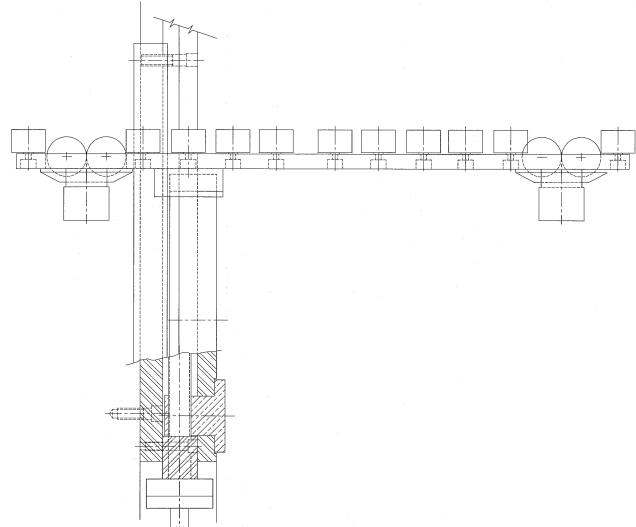
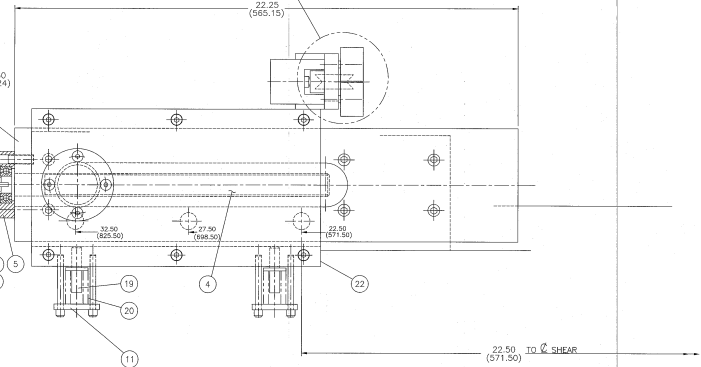
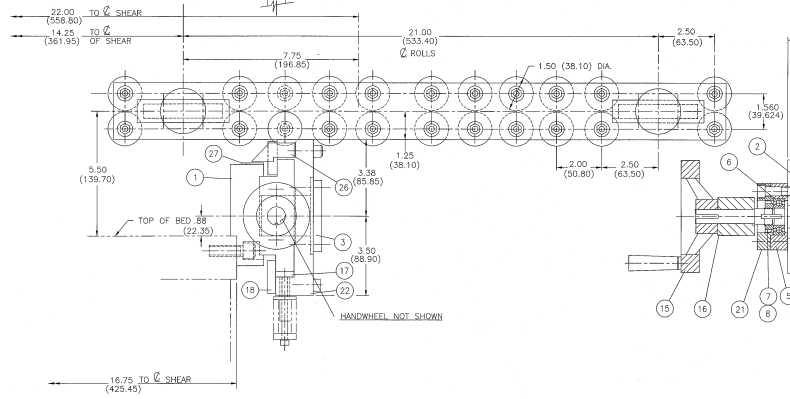


DATE	BY	BY



ITEM NO.	PART NO.	DESCRIPTION	DWG. NO.	QTY.
1	B-290547	BRACKET-FRONT STOCK GUIDE		1
2	B-290539	WAYS-FRONT STOCK GUIDE		1
3	A-290540	NUT-ADJUSTING		1
4	X-228904	SCREW-ADJUSTING	B-118094	1
5	A-290541	HOUSING-BRG.		1
6	K-092443	BRG-BALL "ND" #Z993L04		1
7	K-093111	NUT-BRG. "MEG. STD." #N-D4		1
8	K-093121	WASHER-LOCK "MEG. STD." #W-D4		1
9	X-117318	PN-GUIDE ROLLS	A-088609	4
10	K-287204	WHEEL-"FAIRLANE" #RR-215-60		2
11	X-152473	SHM-SPRING RETAINER	B-129957	2
12	B-110204	BRACKET-GUIDE ROLL		2
13	B-110205	ROLLER-GUIDE		4
14	K-093135	BRG-BALL "ND" # Z99036		8
15	K-094228	HANDWHEEL-"SALCROR" #1545001; S/D DIA		1
16	X-229712	SPACER-HANDWHEEL	B-180476	1
17	A-148261	SPACER-SLIDE CLAMP		1
18	B-290542	SPACER-SUPPORT PLATE		2
19	A-152472	FLUMBER-LOCATOR SLIDE		2
20	K-094321	SPRING-"DANLY" # 9-1606-21		2
21	A-290543	RETAINER-BRG.		1
22	C-290544	SLIDE-FRONT STOCK GUIDE		1
23	B-290545	PLATE-ROLLER SUPPORT FRONT		1
24	A-135162	PISTON-AIR CYLINDER		2
25	A-290546	ROD-AIR CYLINDER		2
26	A-138877	POINTER-SCALE FRONT		1
27	A-263208	SCALE-FRONT		1



DIMENSIONS IN (IN) OR IN (MM)

UNLESS OTHERWISE SPECIFIED DIMENSIONS ARE IN INCHES (IN) AND DECIMALS THEREOF. DIMENSIONS IN PARENTHESES ARE IN MILLIMETERS (MM).

ISO WORD SIGN PREFIX

FINISHES TO TOLERANCE ±

F	0.0015"
F	0.0025"
F	0.0050"
F	0.0100"
F	0.0200"
F	0.0500"
F	0.1000"
F	0.2000"
F	0.5000"
F	1.0000"
F	2.0000"
F	5.0000"
F	10.0000"
F	20.0000"
F	50.0000"
F	100.0000"
F	200.0000"
F	500.0000"
F	1000.0000"

UNLESS OTHERWISE SPECIFIED DIMENSIONS ARE IN MILLIMETERS (MM) AND DECIMALS THEREOF. DIMENSIONS IN PARENTHESES ARE IN INCHES (IN).

ISO WORD SIGN PREFIX

FINISHES TO TOLERANCE ±

F	0.0038
F	0.0076
F	0.0152
F	0.0305
F	0.0610
F	0.1220
F	0.2440
F	0.4880
F	0.9760
F	1.9520
F	3.9040
F	7.8080
F	15.6160
F	31.2320
F	62.4640
F	124.9280
F	249.8560
F	499.7120
F	999.4240

INCHES TO MILLIMETERS

MILLIMETERS TO INCHES

SCALE 50:1

LITTELL
LITTELL INTERNATIONAL GROUP INC.

D-287621