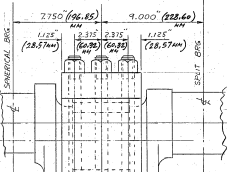
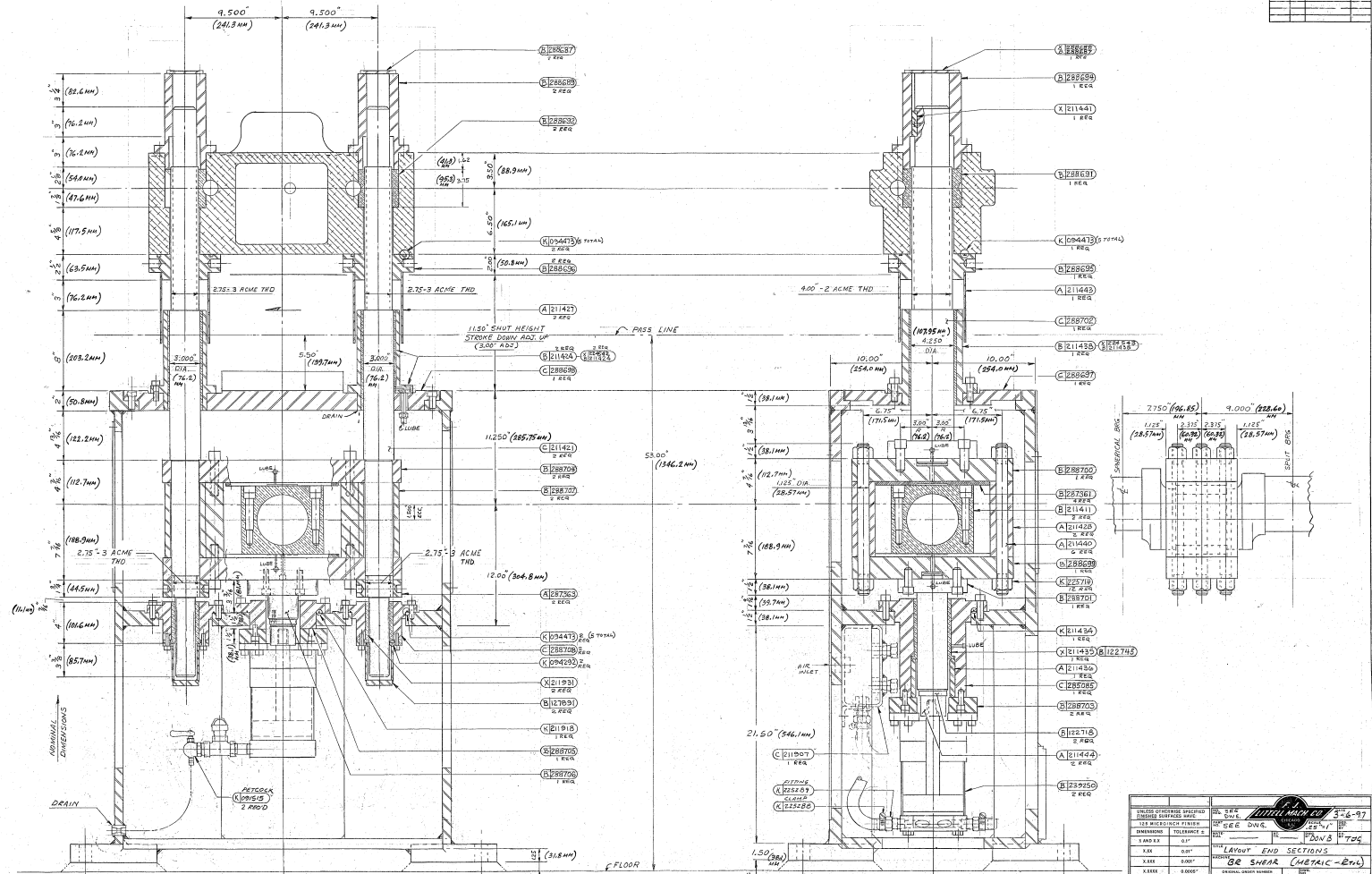


| DATE | REV | BY | APP |
|------|-----|----|-----|
| | | | |



| | | | |
|--------------------------------------|-----------|-------------------------------|-------------|
| UNLESS OTHERWISE SPECIFIED | ALL DIMS | IN UNLESS OTHERWISE SPECIFIED | 3/16-1/8-97 |
| FINISHES UNLESS OTHERWISE SPECIFIED | ALL DIMS | IN UNLESS OTHERWISE SPECIFIED | 3/16-1/8-97 |
| 115 MICROFINISH FINISH | ALL DIMS | IN UNLESS OTHERWISE SPECIFIED | 3/16-1/8-97 |
| 2.0000 | TOLERANCE | ± | ±.0005 |
| XXX | DATE | DATE | DATE |
| XXXI | DATE | DATE | DATE |
| XXXII | DATE | DATE | DATE |
| XXXIII | DATE | DATE | DATE |
| ANGLES $A^{\circ} B' C''$ | | | |
| BRASS SHAFT COPIES FOR | | | |
| MILITARY SPECIFICATIONS | | | |

LAYOUT END SECTIONS
BE SHEAR (METRIC-BOL)
 31338
D
 288800
 2