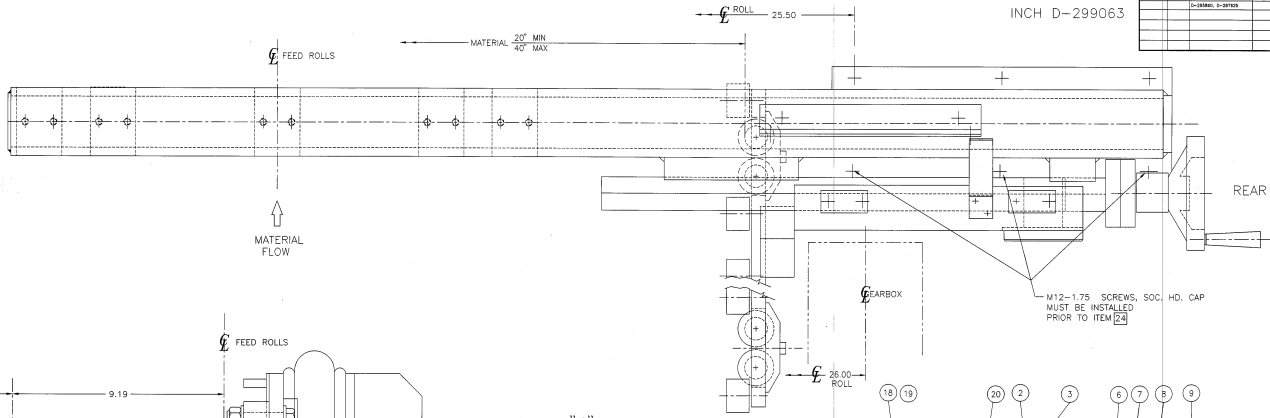
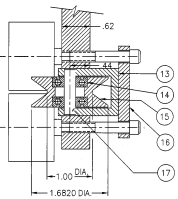
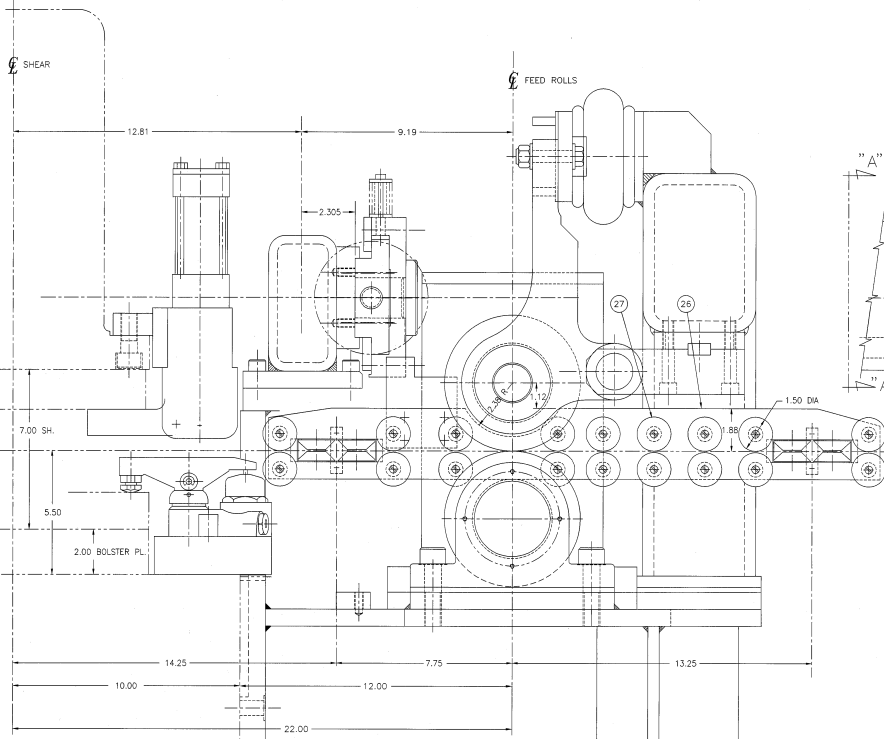


DATE	BY
REV	REV
DATE	BY
REV	REV



M12-1.75 SCREWS, SOC. HD. CAP
 MUST BE INSTALLED
 PRIOR TO ITEM [24]



SECTION "A-A"

20. A-138666	POINTER-REAR SCALE	1	1	21. X-152467	SPACER-SLIDE CLAMP	A-149261	1
19. A-263209	SCALE	1	1	22. B-290542	SPACER-SUPPORT PLATE		2
18. X-290549	BRACKET-SCALE MFG.	A-148660	1	23. C-290549	SLIDE-REAR STOCK GUIDE		1
17. X-117318	PIN-GUIDE ROLLERS	A-089605	4	24. B-290530	WAYS-REAR STOCK GUIDE		1
16. X-142218	SHIM-GUIDE ROLL BRKT.	B-109957	2	25. A-290540	NUT-ADJUSTING		1
15. B-110203	ROLLER-GUIDE (CAMBDE)		4	26. C-290551	PLATE-ROLLER SUPPORT		1
14. K-093159	BEARING "ND" #299036		8	27. K-293204	WHEEL "PARALLEL" #RRS: 1.50 DIA.		18
13. B-110204	BRACKET-GUIDE ROLL		2				
12. K-093721	WASHER-MFG. STD. LOCK #W-04		1				
11. K-093111	NUT "MFG. STD. #N-04		1				
10. K-092443	BEARING "ND" #2993L04		1				
9. K-094238	HANDWHEEL "BALCRANK" #1545001		1				
8. X-293712	SPACER-HANDWHEEL	B-160478	1				
7. A-290543	RETAINER-BEARING		1				
6. A-290541	HOUSING-BEARING		1				
5. X-228804	SCREW-ADJUSTING	B-116094	1				
4. A-152497	PLUNGER-SLIDE LOCATOR		2				
3. K-094321	SPRING-"DANLY" #9-1606-21		2				
2. X-152473	SHIM-SPRING REL.	B-129957	2				
1. C-291256	BEAM-SUPPORT ROLL SUPPORT		1				

UNLESS OTHERWISE SPECIFIED: DIMENSIONS IN INCHES. DIMENSIONS IN MILLIMETERS. DIMENSIONS IN PARENTHESES ARE FOR INFORMATION ONLY AND ARE NOT TO BE USED FOR FABRICATION UNLESS OTHERWISE SPECIFIED.

132 MICRO INCH FINISH

FINISHES: TOLERANCE ±

7 mil. max. 0.0015
 15 mil. max. 0.0025
 30 mil. max. 0.0050
 60 mil. max. 0.0100
 120 mil. max. 0.0200
 240 mil. max. 0.0400
 480 mil. max. 0.0800
 960 mil. max. 0.1600
 1920 mil. max. 0.3200

DATE: 03-11-93
 DESIGNED BY: J.S.G.
 DRAWN BY: J.S.G.
 CHECKED BY: J.S.G.
 APPROVED BY: J.S.G.

LITTELL
 VERNON INTERNATIONAL GROUP INC.
 VERNON, ONTARIO, CANADA
 1987

SCALE: 50:1 (10)

D-293103