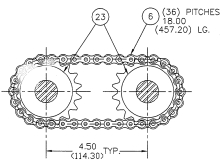
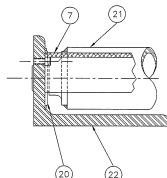


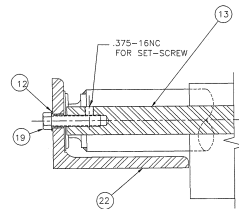
FORM		D-299985	
DATE	SYN	MS	BY
		5182881	



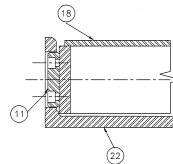
**SECTION A-A**  
TYPICAL CHAIN MFG.  
SCALE 1:2



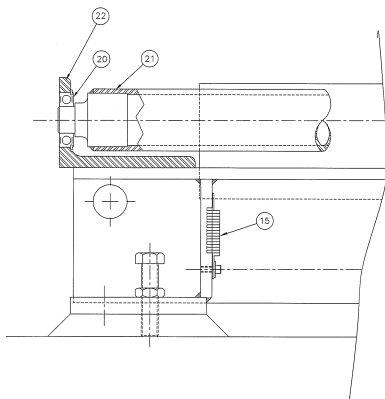
**SECTION D-D**  
TYPICAL MFG.  
SCALE 1:2



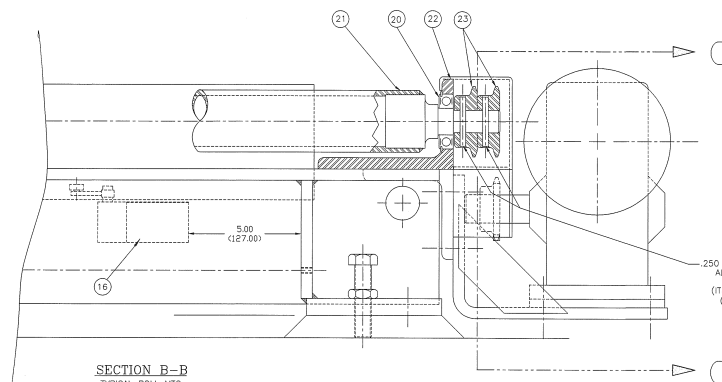
**SECTION E-E**  
TYPICAL MFG.  
SCALE 1:2



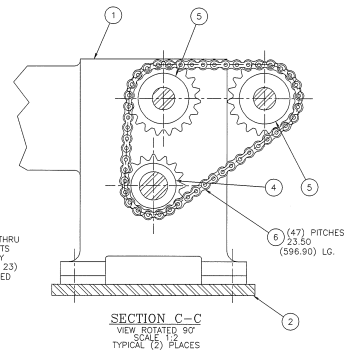
**SECTION F-F**  
TYPICAL MFG.  
SCALE 1:2



**SECTION B-B**  
TYPICAL ROLL MFG.  
SCALE 1:2



**SECTION C-C**  
VIEW, ROTATED, 90°  
TYPICAL (2) PLACES  
SCALE 1:2



**SECTION C-C**  
VIEW, ROTATED, 90°  
TYPICAL (2) PLACES  
SCALE 1:2

FOR INCH THD. SEE D-143484

DIMENSIONS  $\frac{IN}{(MM)}$  OR IN (MM)

UNLESS OTHERWISE SPECIFIED FINISHED SURFACES SHALL BE:	COPYRIGHT LITTELL INTERNATIONAL GROUP INC. ALL RIGHTS RESERVED. THE COPYRIGHT HOLDER HEREBY DISCLAIMS ANY LIABILITY OR WARRANTY OF FITNESS, MERCHANTABILITY, OR NON-INFRINGEMENT OF ANY PATENT, TRADE OR SERVICE MARKS, OR ANY OTHER RIGHTS, IN ANY OF THE GOODS OR SERVICES OR ANY INFORMATION, SOFTWARE, OR ANY OTHER RIGHTS, IN ANY OF THE GOODS OR SERVICES OR ANY INFORMATION, SOFTWARE, OR ANY OTHER RIGHTS, IN ANY OF THE GOODS OR SERVICES
125 MICRO INCH FEED	
DIMENSIONS	TOLERANCE ±
1/8" MIN. DIA.	0.015"
XXX	0.015"
XXXX	0.005"
XXXXX	0.002"
XXXXXX	0.001"
UNLESS SHOWN OTHERWISE	4:12
UNLESS OTHERWISE SPECIFIED	UNLESS OTHERWISE SPECIFIED

LITTELL  
VERSION INTERNATIONAL GROUP INC.

D-299985