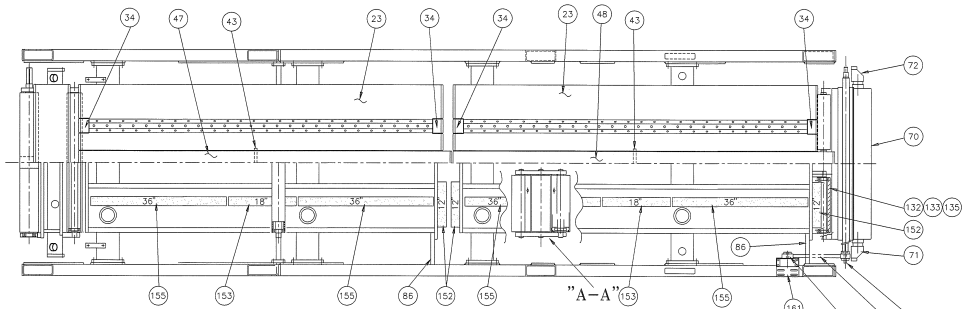
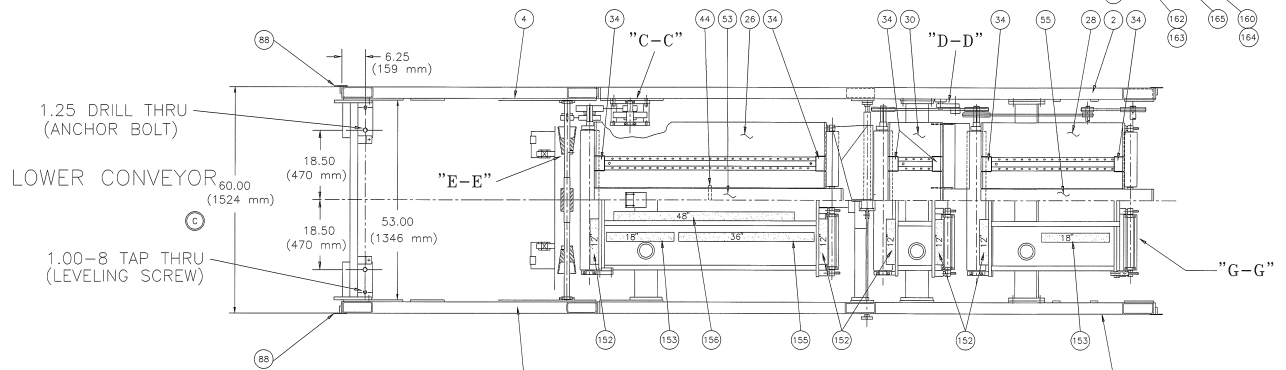


DATE	SYN	BY

UPPER CONVEYOR

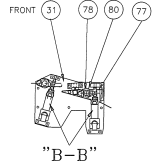
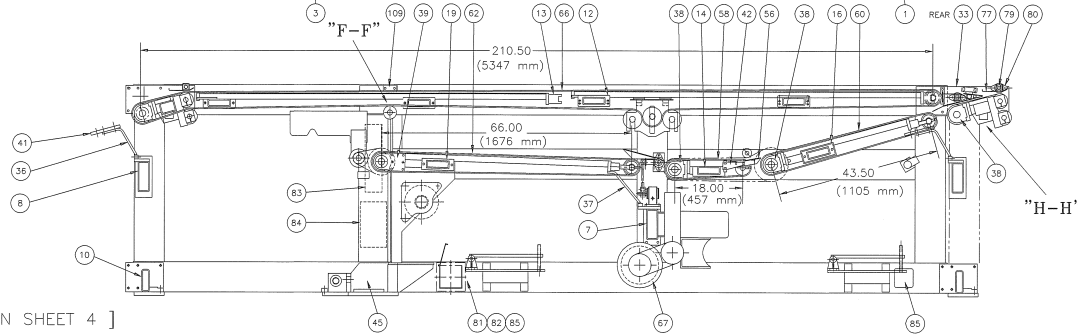


LOWER CONVEYOR



1.25 DRILL THRU (ANCHOR BOLT)

1.00-8 TAP THRU (LEVELING SCREW)



STATION #2

[NOTE : ALL SECTIONS ON SHEET 4]

COPYRIGHT VERNON INTERNATIONAL GROUP INC. ALL RIGHTS RESERVED. THIS DOCUMENT CONTAINS CONFIDENTIAL AND PROPRIETARY INFORMATION OF VERNON INTERNATIONAL GROUP INC. NO REPRODUCTION OR USE IN ANY MANNER WITHOUT WRITTEN PERMISSION IS ALLOWED. VERNON INTERNATIONAL GROUP INC. IS NOT RESPONSIBLE FOR THE CONTENTS OF THIS DOCUMENT.		DATE: 8-28-88	SCALE: 3/8" = 1"
DESIGN: [blank]	DATE: [blank]	SCALE: 3/8" = 1"	SCALE: 3/8" = 1"
DRAWN: [blank]	DATE: [blank]	SCALE: 3/8" = 1"	SCALE: 3/8" = 1"
CHECKED: [blank]	DATE: [blank]	SCALE: 3/8" = 1"	SCALE: 3/8" = 1"
APPROVED: [blank]	DATE: [blank]	SCALE: 3/8" = 1"	SCALE: 3/8" = 1"
Vernon International Group Inc.		Vernon International Group Inc.	
10000 10th Street, Dallas, Texas 75243		10000 10th Street, Dallas, Texas 75243	
TEL: 214-343-8800		TEL: 214-343-8800	
FAX: 214-343-8801		FAX: 214-343-8801	
E-MAIL: [blank]		E-MAIL: [blank]	
WWW: [blank]		WWW: [blank]	
D-301502		D-301502	
SHT 2 OF 4		SHT 2 OF 4	