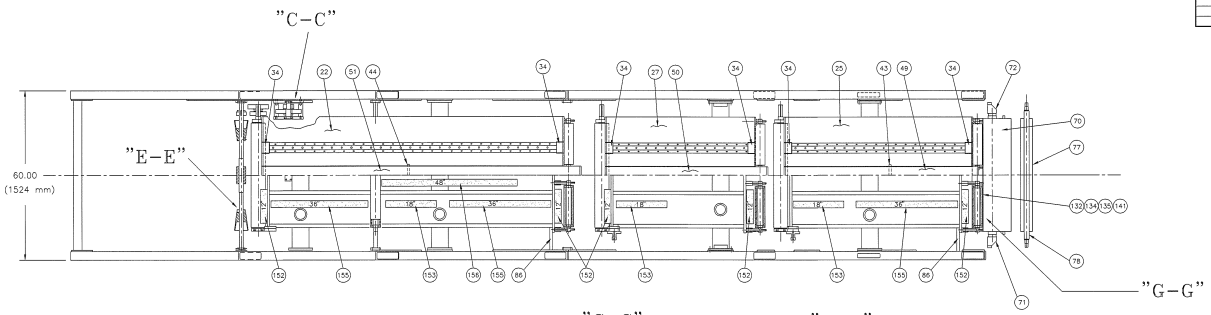


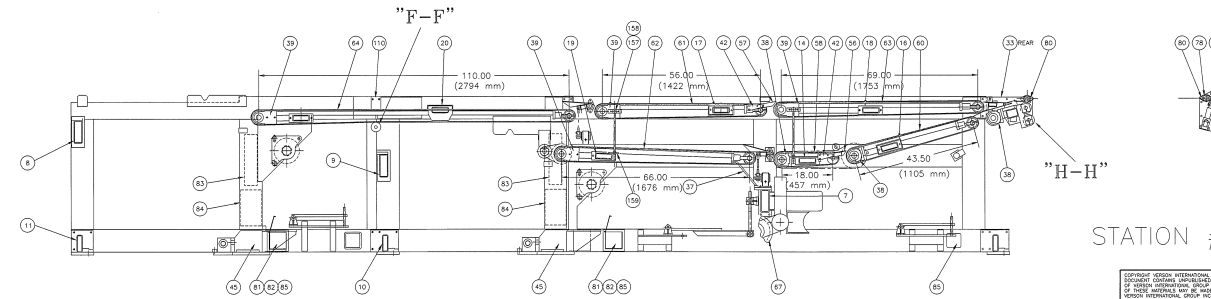
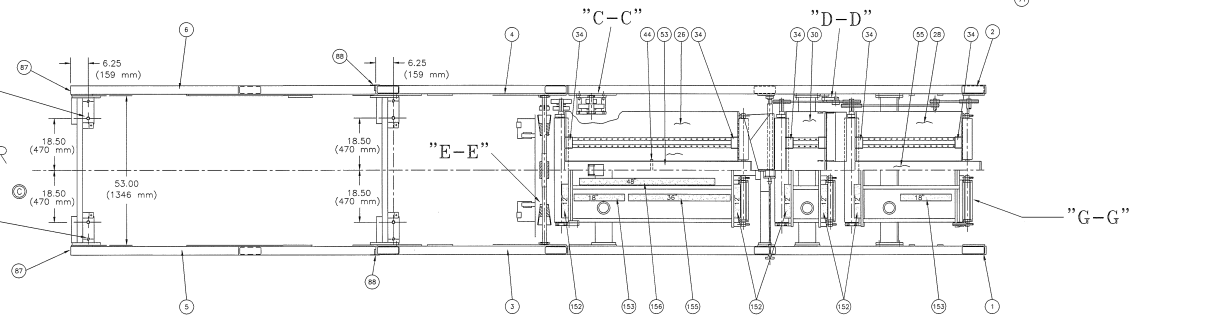
DATE	REV	BY
	ALL REVISIONS	
	CON. SHEET #	

UPPER CONVEYOR



LOWER CONVEYOR

1.25 DRILL THRU (ANCHOR BOLT)
 1.00-8 TAP THRU (LEVELING SCREW)



STATION # 3 & 4

[NOTE : ALL SECTIONS ON SHEET 4]

COPYRIGHT VERSON INTERNATIONAL GROUP INC. ALL RIGHTS RESERVED. THE
 INFORMATION CONTAINED HEREIN IS UNCLASSIFIED AND IS NOT TO BE REPRODUCED OR
 TRANSMITTED IN ANY FORM OR BY ANY MEANS, ELECTRONIC OR MECHANICAL,
 INCLUDING PHOTOCOPYING, RECORDING, OR BY ANY INFORMATION STORAGE AND
 RETRIEVAL SYSTEM, WITHOUT PERMISSION IN WRITING FROM VERSON INTERNATIONAL GROUP INC.

CHNO: 6-22-19
 DATE: 6-22-19
 TITLE: STATION # 3 & 4
 INCHES: 1/8" DECIMALS
 SCALE: 1" = 1'-0"

VERSON INTERNATIONAL GROUP INC.
 1005-D-301502