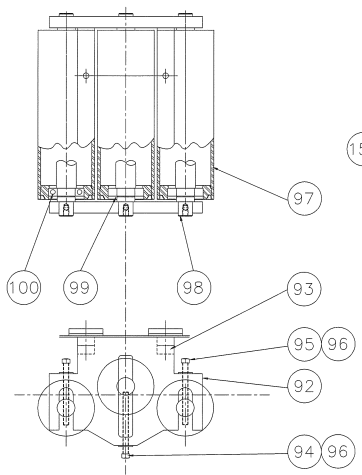
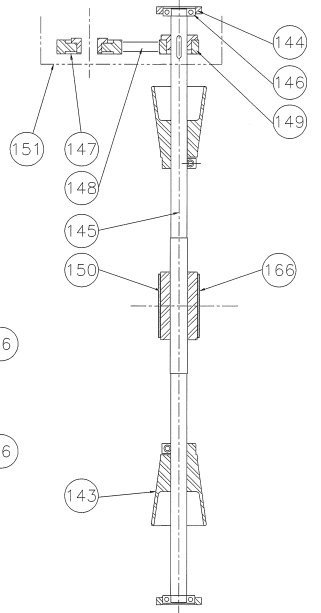


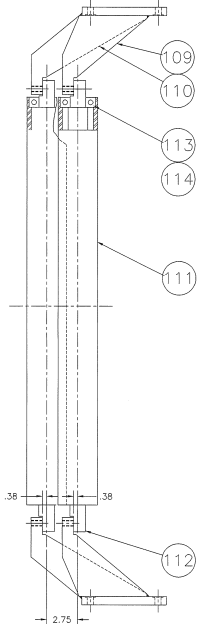
DATE	BY	REV.



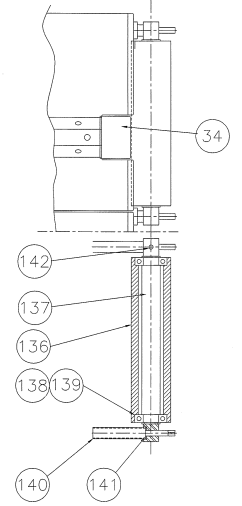
DETAIL "A-A"



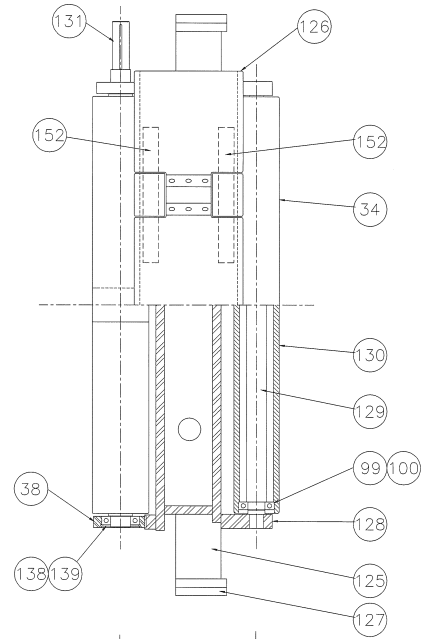
DETAIL "E-E"



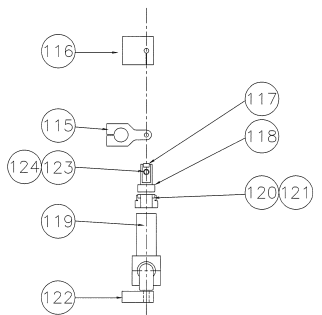
DETAIL "F-F"



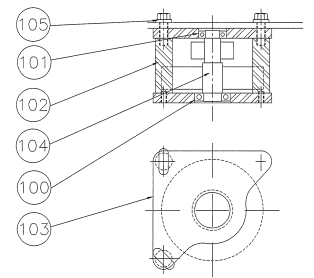
DETAIL "G-G"



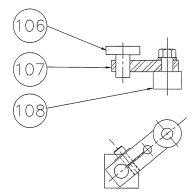
DETAIL "H-H"



DETAIL "B-B"



DETAIL "C-C"



DETAIL "D-D"

<small>CONTACT VERNON INTERNATIONAL GROUP INC. ALL RIGHTS RESERVED. THE INFORMATION CONTAINED HEREIN IS UNCLASSIFIED AND NOT FOR DISTRIBUTION OUTSIDE THE UNITED STATES OF AMERICA. FOR INFORMATION ON THE USE OF ANY PORTION OF THESE DRAWINGS, CONTACT VERNON INTERNATIONAL GROUP INC. AT THE ADDRESS OR BY THE METHODS INDICATED HEREON.</small>			
DATE	BY	REV.	PART NO.
06/21/00	AK		D-301502
<small>UNITED STATES OF AMERICA</small>			<small>SCALE</small> 1:1
<small>VERNON INTERNATIONAL GROUP INC.</small>			<small>SCALE</small> 1:1
<small>VERNON INTERNATIONAL GROUP INC.</small>			<small>SCALE</small> 1:1
<small>VERNON INTERNATIONAL GROUP INC.</small>			<small>SCALE</small> 1:1
<small>VERNON INTERNATIONAL GROUP INC.</small>			<small>SCALE</small> 1:1
<small>VERNON INTERNATIONAL GROUP INC.</small>			<small>SCALE</small> 1:1