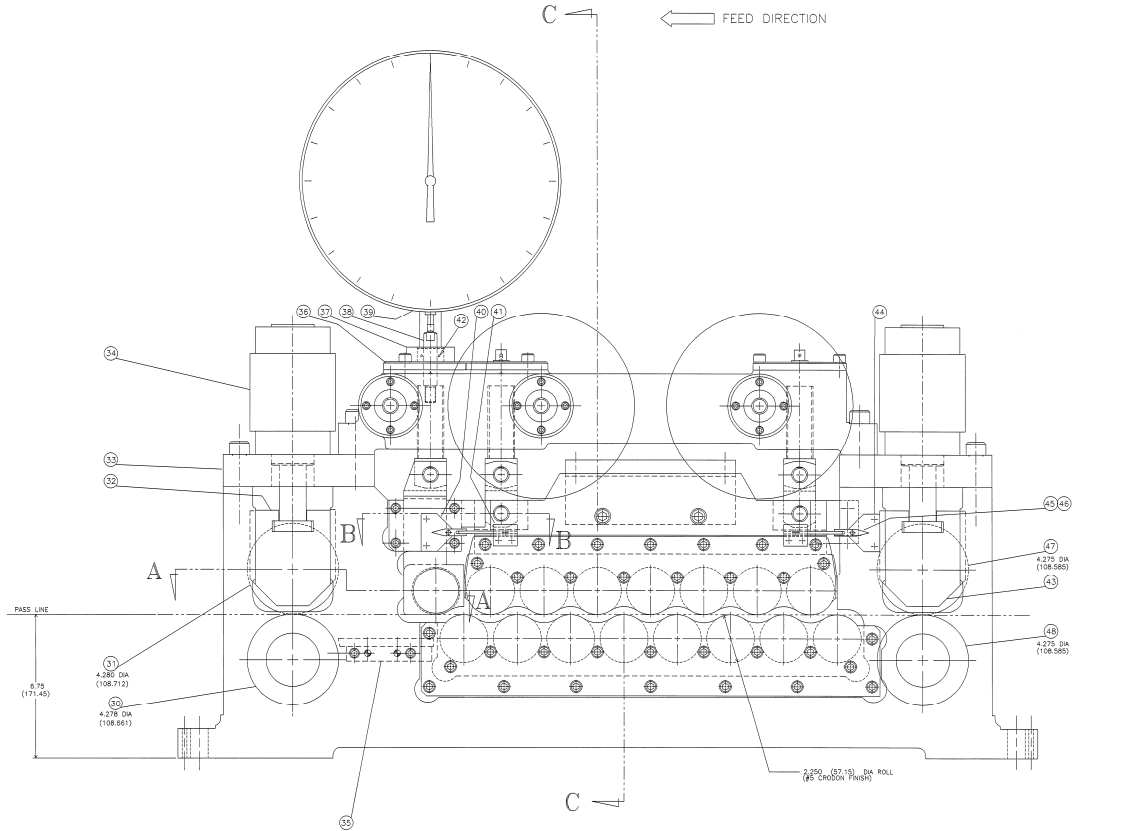


| ENG. CROSS REF. | DATE | REV. | BY |
|------------------------------------|------|------|----|
| D-273655 - 432-16PDS STRA. | | | |
| D-127860 - 442-16PDS STRA. INCH. | | | |
| D-315469 - 438-16PDS STRA. METRIC. | | | |



| | | | | |
|----|----|--------|---|----------|
| 48 | 1 | 126728 | ASSY - ROLL - LOWER - ENTRY | C/480906 |
| 47 | 1 | 126733 | ASSY ROLL UPPER ENTRY RUBBER COVERED | 126733 |
| 46 | 2 | 034759 | PIN - FIVOT | A-034759 |
| 45 | 2 | 034758 | POINTER - INDICATOR | A-034758 |
| 44 | 1 | 049528 | PLATE - INDICATOR DIAL - R.H. | A-049528 |
| 43 | 2 | 104982 | PLATE - FINCH ROLL GUARD | A-104982 |
| 42 | 1 | 091268 | "O" RING "NATIONAL" #622712 | |
| 41 | 2 | 288973 | BRACKET - POINTER PIN | A-288973 |
| 40 | 1 | 049527 | PLATE - INDICATOR DIAL - L.H. | A-049527 |
| 39 | 1 | 022453 | DIAL INDICATOR | B-022453 |
| 38 | 1 | 024489 | ROD - INDICATOR | A-024489 |
| 37 | 1 | 288982 | BRACKET - INDICATOR | C-288982 |
| 36 | 1 | 288979 | COVER - BRG - SPECIAL | B-288979 |
| 35 | 1 | 287758 | DEFLECTOR - STOCK | B-287758 |
| 34 | 4 | 017275 | CLIP "NORMAL-MILLET" W/ST F | B-017275 |
| 33 | 4 | 288974 | MOUNT - CYLINDER | B-288974 |
| 32 | 4 | 049097 | BOX - BRG - UPPER ROLL | B-049097 |
| 31 | 1 | 126732 | ASSY - ROLL - UPPER EXIT - RUBBER COVERED | C-126732 |
| 30 | 1 | 135943 | ASSY - ROLL - LOWER EXIT | C-135943 |
| 29 | 1 | 288760 | RET - REAR BRG BOX | A-288760 |
| 28 | 1 | 287759 | RET - FRONT BRG BOX | A-287759 |
| 27 | 1 | 288972 | RET - REAR BRG BOX - OVERSHOT ROLL | A-288972 |
| 26 | 1 | 049089 | SPACER - OVERSHOT ROLL | A-049089 |
| 25 | 1 | 288971 | BOX - BRG - OVERSHOT ROLL - REAR | B-288971 |
| 24 | 1 | 049090 | BOX - BRG - OVERSHOT ROLL - FRONT | B-049090 |
| 23 | 1 | 091861 | BUTTON - PLUG "DOT" #SS-50890 | |
| 22 | 8 | 091472 | BRG - BALL "N.D." #299097 | |
| 21 | 2 | 092412 | BUTTON - PLUG "CAR FASTENER" #SS-51111 | |
| 20 | 3 | 037350 | SHAWT - ADJ - 37.50 LG | B-041980 |
| 19 | 1 | 017126 | SLEEVE - COUPLING | A-017126 |
| 18 | 2 | 288980 | WHEEL - HAND | C-288980 |
| 17 | 2 | 090424 | HANDLE - "BALCRANK" #H-9426 | |
| 16 | 1 | 287757 | BRIDGE - SIDE FRAME | D-287757 |
| 15 | 2 | 287756 | SUPPORT - UPPER BRG BOX | C-287756 |
| 14 | 32 | 060569 | BRG - BALL "N.D." #299055 | |
| 13 | 32 | 091270 | RING - RET "WALLET" #J109-88 | |
| 12 | 15 | 049088 | SPACER - STRA ROLL | A-049088 |
| 11 | 16 | 126724 | ROLL - STRAIGHTENER | B-049087 |
| 10 | 1 | 297249 | PLATE - UPPER BRG BOX - REAR | C-297249 |
| 9 | 1 | 297245 | PLATE - UPPER BRG BOX - FRONT | C-297245 |
| 8 | 1 | 297247 | PLATE - LOWER BRG BOX - REAR | C-297247 |
| 7 | 1 | 297243 | PLATE - LOWER BRG BOX - FRONT | C-297243 |
| 6 | 1 | 297248 | BOX - BRG - UPPER - REAR | C-297248 |
| 5 | 1 | 297244 | BOX - BRG - UPPER - FRONT | C-297244 |
| 4 | 1 | 297246 | BOX - BRG - LOWER - REAR | C-297246 |
| 3 | 1 | 297242 | BOX - BRG - LOWER - FRONT | C-297242 |
| 2 | 1 | 288373 | FRAME - HAND - REAR | D-288373 |
| 1 | 1 | 288374 | FRAME - HAND - FRONT | C-288374 |

NO NO QTY PART NO DESCRIPTION DRAWG NO

PARTS LIST

| INDICATOR | QUANTITY | UNIT | DESCRIPTION | SCALE |
|-----------|----------|------|--|-------|
| 1 | 1 | EA | 126728 ASSY - ROLL - LOWER - ENTRY | 1:1 |
| 2 | 2 | EA | 034759 PIN - FIVOT | 1:1 |
| 3 | 2 | EA | 034758 POINTER - INDICATOR | 1:1 |
| 4 | 1 | EA | 049528 PLATE - INDICATOR DIAL - R.H. | 1:1 |
| 5 | 2 | EA | 104982 PLATE - FINCH ROLL GUARD | 1:1 |
| 6 | 1 | EA | 091268 "O" RING "NATIONAL" #622712 | 1:1 |
| 7 | 2 | EA | 288973 BRACKET - POINTER PIN | 1:1 |
| 8 | 1 | EA | 049527 PLATE - INDICATOR DIAL - L.H. | 1:1 |
| 9 | 1 | EA | 022453 DIAL INDICATOR | 1:1 |
| 10 | 1 | EA | 024489 ROD - INDICATOR | 1:1 |
| 11 | 1 | EA | 288982 BRACKET - INDICATOR | 1:1 |
| 12 | 1 | EA | 288979 COVER - BRG - SPECIAL | 1:1 |
| 13 | 1 | EA | 287758 DEFLECTOR - STOCK | 1:1 |
| 14 | 4 | EA | 017275 CLIP "NORMAL-MILLET" W/ST F | 1:1 |
| 15 | 4 | EA | 288974 MOUNT - CYLINDER | 1:1 |
| 16 | 4 | EA | 049097 BOX - BRG - UPPER ROLL | 1:1 |
| 17 | 1 | EA | 126732 ASSY - ROLL - UPPER EXIT - RUBBER COVERED | 1:1 |
| 18 | 1 | EA | 135943 ASSY - ROLL - LOWER EXIT | 1:1 |
| 19 | 1 | EA | 288760 RET - REAR BRG BOX | 1:1 |
| 20 | 1 | EA | 287759 RET - FRONT BRG BOX | 1:1 |
| 21 | 1 | EA | 288972 RET - REAR BRG BOX - OVERSHOT ROLL | 1:1 |
| 22 | 1 | EA | 049089 SPACER - OVERSHOT ROLL | 1:1 |
| 23 | 1 | EA | 288971 BOX - BRG - OVERSHOT ROLL - REAR | 1:1 |
| 24 | 1 | EA | 049090 BOX - BRG - OVERSHOT ROLL - FRONT | 1:1 |
| 25 | 1 | EA | 091861 BUTTON - PLUG "DOT" #SS-50890 | 1:1 |
| 26 | 8 | EA | 091472 BRG - BALL "N.D." #299097 | 1:1 |
| 27 | 2 | EA | 092412 BUTTON - PLUG "CAR FASTENER" #SS-51111 | 1:1 |
| 28 | 3 | EA | 037350 SHAWT - ADJ - 37.50 LG | 1:1 |
| 29 | 1 | EA | 017126 SLEEVE - COUPLING | 1:1 |
| 30 | 2 | EA | 288980 WHEEL - HAND | 1:1 |
| 31 | 2 | EA | 090424 HANDLE - "BALCRANK" #H-9426 | 1:1 |
| 32 | 1 | EA | 287757 BRIDGE - SIDE FRAME | 1:1 |
| 33 | 2 | EA | 287756 SUPPORT - UPPER BRG BOX | 1:1 |
| 34 | 32 | EA | 060569 BRG - BALL "N.D." #299055 | 1:1 |
| 35 | 32 | EA | 091270 RING - RET "WALLET" #J109-88 | 1:1 |
| 36 | 15 | EA | 049088 SPACER - STRA ROLL | 1:1 |
| 37 | 16 | EA | 126724 ROLL - STRAIGHTENER | 1:1 |
| 38 | 1 | EA | 297249 PLATE - UPPER BRG BOX - REAR | 1:1 |
| 39 | 1 | EA | 297245 PLATE - UPPER BRG BOX - FRONT | 1:1 |
| 40 | 1 | EA | 297247 PLATE - LOWER BRG BOX - REAR | 1:1 |
| 41 | 1 | EA | 297243 PLATE - LOWER BRG BOX - FRONT | 1:1 |
| 42 | 1 | EA | 297248 BOX - BRG - UPPER - REAR | 1:1 |
| 43 | 1 | EA | 297244 BOX - BRG - UPPER - FRONT | 1:1 |
| 44 | 1 | EA | 297246 BOX - BRG - LOWER - REAR | 1:1 |
| 45 | 1 | EA | 297242 BOX - BRG - LOWER - FRONT | 1:1 |
| 46 | 1 | EA | 288373 FRAME - HAND - REAR | 1:1 |
| 47 | 1 | EA | 288374 FRAME - HAND - FRONT | 1:1 |

DIMENSIONS IN (MM) OR IN (MM)

