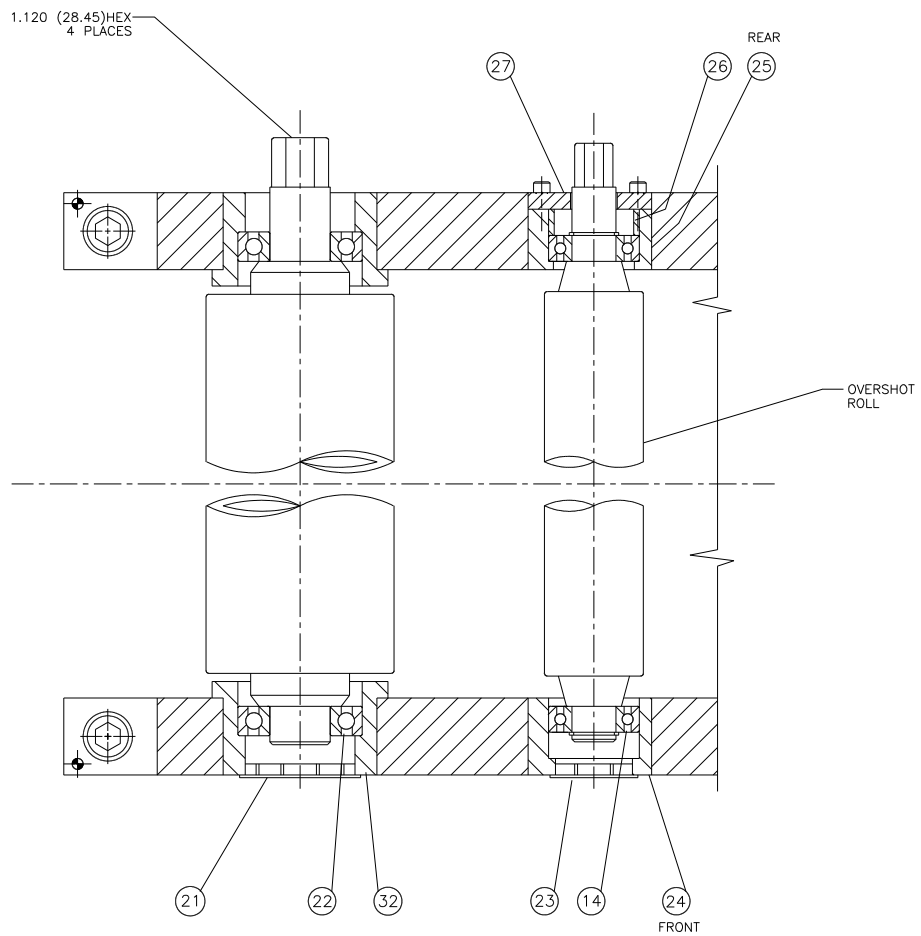
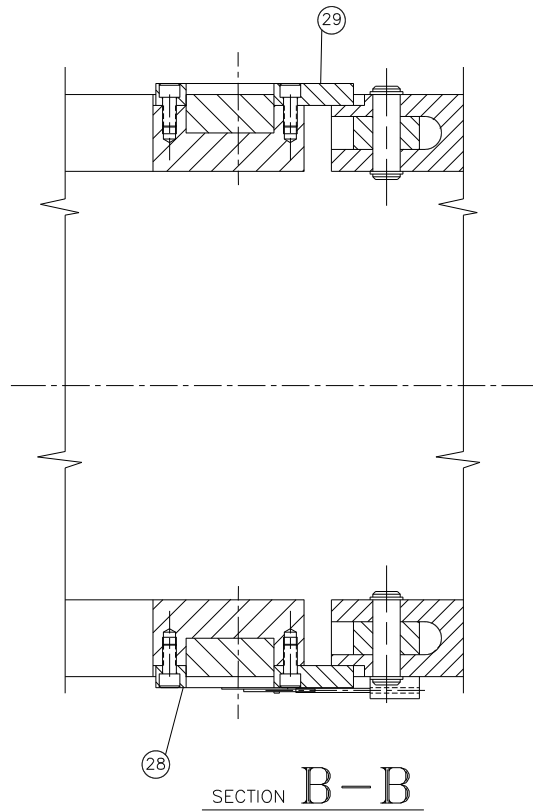
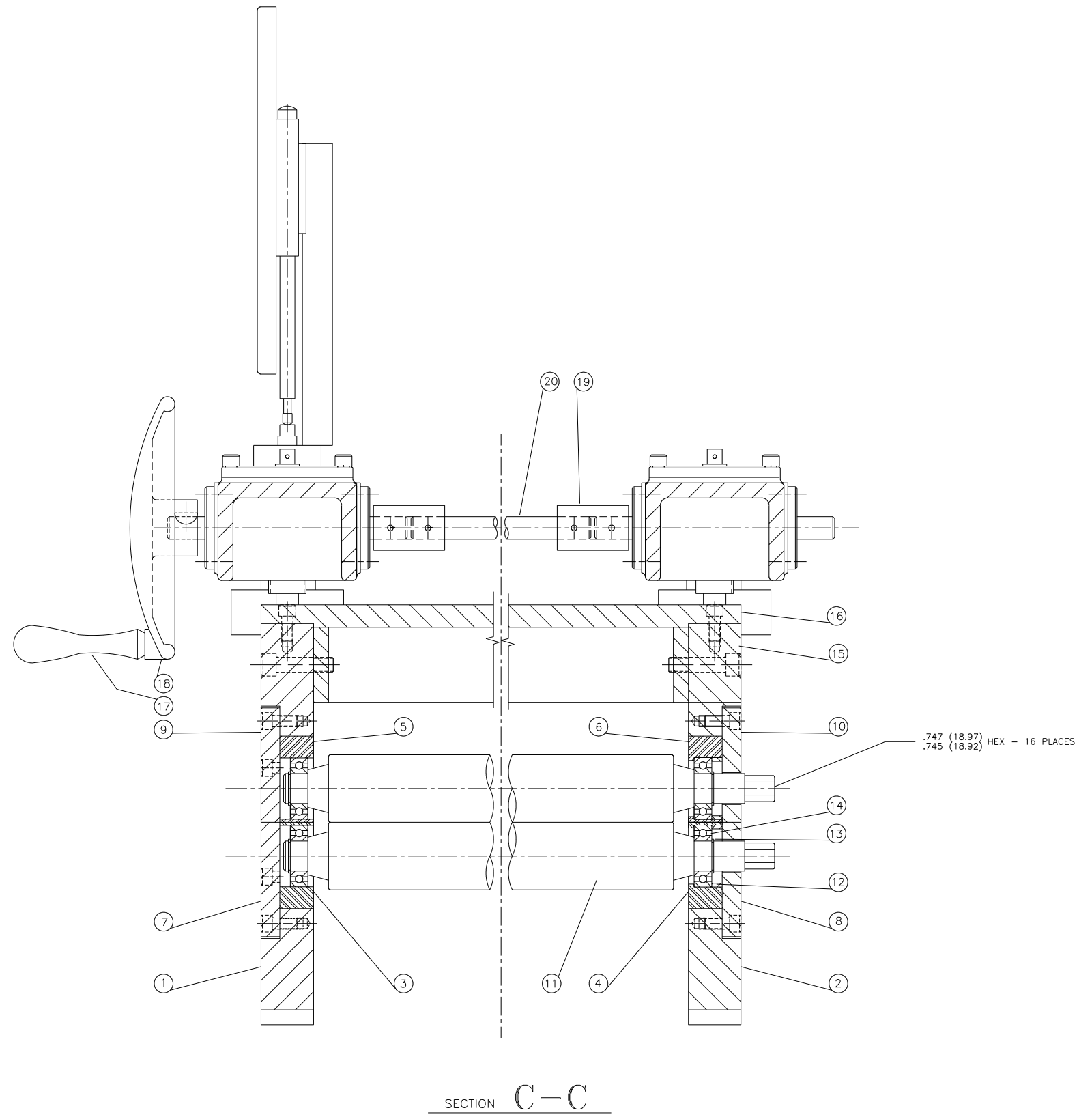


FLING LOCATION		D-302450	
DATE	SYM	WAS	BY
		REVISIONS	
		NOTED	
		ON SHT #1	
		ONLY	



SECTION A-A



SECTION C-C

DIMENSIONS IN (MM) OR IN (MM)

UNLESS OTHERWISE SPECIFIED FINISHED SURFACES HAVE:		COPYRIGHT ALL VIL DIVISIONS, VERNON INTERNATIONAL GROUP INC. ALL RIGHTS RESERVED. THIS DOCUMENT CONTAINS UNPUBLISHED CONFIDENTIAL AND PROPRIETARY INFORMATION OF ALL VIL DIVISIONS, VERNON INTERNATIONAL GROUP INC. NO DISCLOSURE OR USE OF ANY PORTIONS OF THESE MATERIALS MAY BE MADE WITHOUT THE EXPRESS WRITTEN CONSENT OF ALL VIL DIVISIONS, VERNON INTERNATIONAL GROUP INC.	
125 MICRO INCH FINISH		CHKD, 06-22-98	TJG
DIMENSIONS	TOLERANCE ±	DRN, 06-22-98	DRR
X AND X.X	0.1"	DES:	
X.XX	0.01"	DATE	NAME
X.XXX	0.001"	VERNON INTERNATIONAL GROUP INC.	
X.XXXX	0.0005"	TITLE	LAYOUT - STRAIGHTENER HEAD, METRIC
ANGLES ± 0° 30'		MACHINE #442 - 16 STRA. MACHINE Rt to Lt.	PART NO. D-302450
BREAK SHARP CORNERS 0.03 UNLESS OTHERWISE SPECIFIED		ORIG. NO. 9.3457-98	SHT 2 OF 2 SCALE: 50=1.0'

