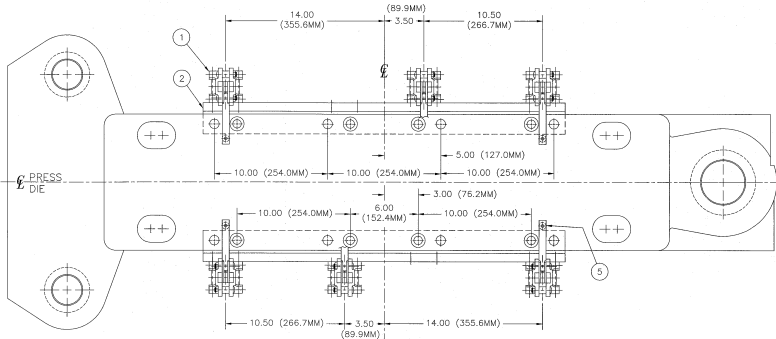
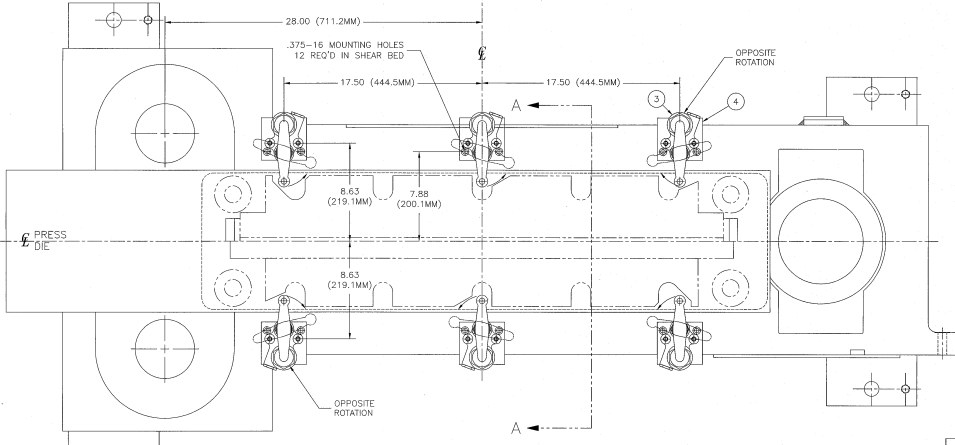


D-304207	
DATE	BY
06/30/00	MS
REVISED	BY
06/30/00	MS

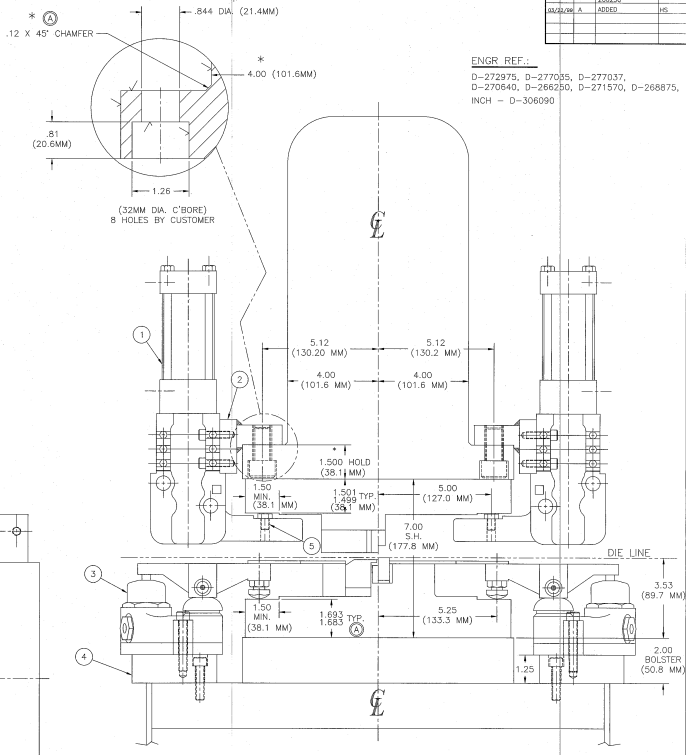
ENGR REF.:  
 D-272875, D-277035, D-277037,  
 D-270840, D-266250, D-271570, D-268875,  
 INCH - D-306090



PLAN VIEW OF CROWN  
 (INVERTED)  
 QUARTER SCALE



PLAN VIEW OF BAD  
 QUARTER SCALE



SECTION A-A  
 HALF SCALE

ITEM	QTY	DESCRIPTION	PART NO.
5	6	BUTTON-REST "JERGENS" #34707	K-266251
4	6	BLOCK-MOUNTING CLAMP (B-304208)	B-304208
3	6	CLAMP-SWING	K-266249
2	2	BRACKET-MTG. POWER CLAMP	B-304206
1	6	CLAMP-POWER-UPPER SHOE	B-266248

SHOP NOTE:  
 REMACHINE CROWN AS PER DIMENSIONS MARKED  
 WITH AN \* TO ACCEPT DIE CLAMP PACKAGE

UNLESS OTHERWISE SPECIFIED, DIMENSIONS ARE IN INCHES AND DECIMALS THEREOF. DIMENSIONS IN PARENTHESES ARE IN MILLIMETERS. DIMENSIONS IN PARENTHESES TAKE PRECEDENCE OVER DIMENSIONS IN INCHES. DIMENSIONS IN PARENTHESES ARE FOR INFORMATION ONLY.

FINISH	TOLERANCE	FINISH	TOLERANCE
AS BUILT	±.0005	AS BUILT	±.0005
AS BUILT	±.0005	AS BUILT	±.0005
AS BUILT	±.0005	AS BUILT	±.0005

**LITTELL**  
 YERSON INTERNATIONAL GROUP, INC.

DATE: 06/30/00  
 DRAWN BY: JPP  
 CHECKED BY: JPP  
 TITLE: LAYOUT-DE CLAMPING  
 PART NO.: D-304207  
 SHEET NO.: 1 OF 1  
 SCALE: 2X=1.00