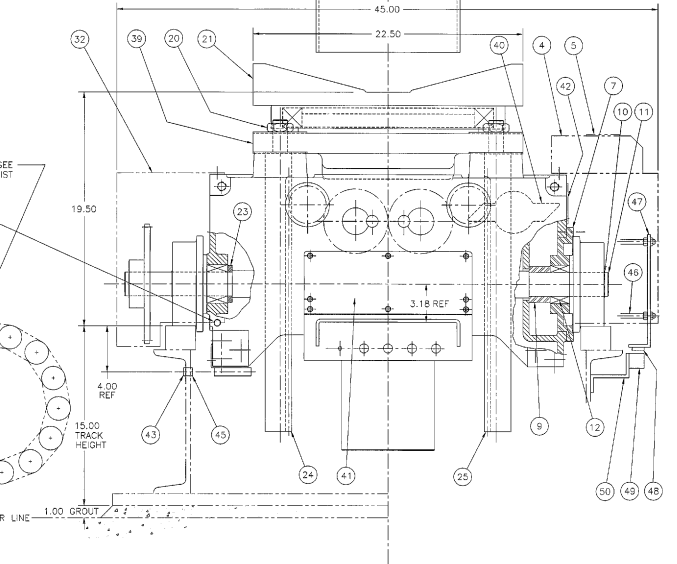
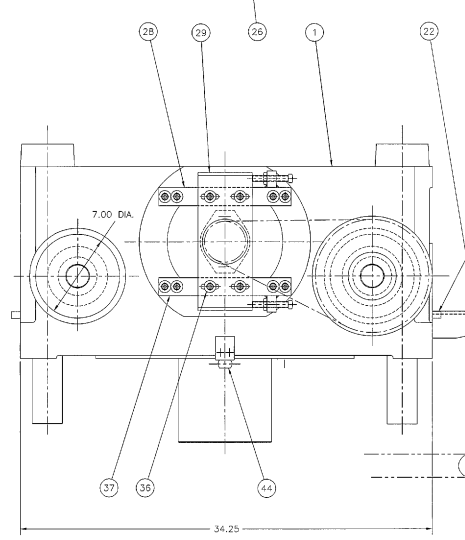
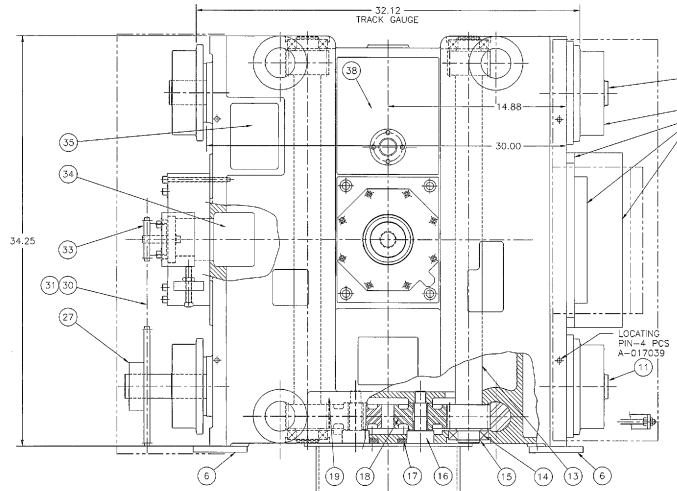
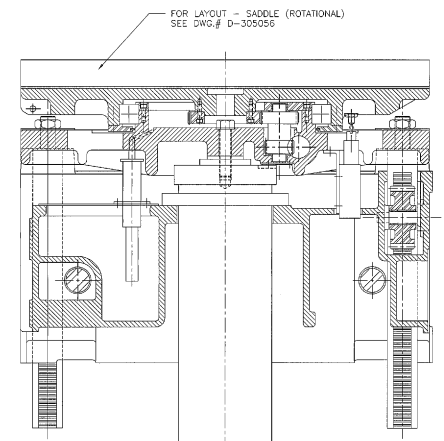


FOR NON-ROTATABLE SADDLE (METRIC)  
ASSEMBLY DWG. SEE D-305067  
FOR INCH DWG. SEE D-266370

DATE	BY	APP'D	BY

REF: D-264740  
D-285758



ITEM	QTY	DESCRIPTION	PART NO.	MATERIAL	DRAWING NO.
53	4	WASHER	X-037952	B-034600	
52	1	MANIFOLD	B-042775		
51	1	MANIFOLD	D-285896		
50	1	BRACKET - SWITCH MTC.	X-266087	A-068549	
49	1	SWITCH "DENISON" #5GAB018	X-266252		
48	1	ACTUATOR "DENISON" #7052	K-093244		
47	1	BRACKET - ACTUATOR MTC.	B-305051		
46	2	STUD	X-029010	A-029010	
45	1	REFLECTOR "BANNER" #BRT-L	K-268387		
44	1	SWITCH "A-B" #42SRU-8202	K-268386		
43	1	PLATE - REFLECTOR MTC.	X-267095	B-127423	
42	1	COVER - ELECTRICAL	A-267013		
41	1	COVER - ELECTRICAL	A-267012		
40	1	NAMEPLATE - "LITTELL"	A-010151		
39	1	SUPPORT - SADDLE	D-304796		
38	1	PLATE - PIPE DRAIN	A-304780		
37	1	BAR - MTC. (ADJ. - HYD. MOTOR)	X-304781	B-304784	
36	4	WASHER - STEEL	X-023487	B-034600	
35	1	PLATE - COVER (OIL TANK)	B-017040		
34	1	MOTOR - HYD. "CHAR-LYNN" S#103-2031	K-253392		
33	1	SPROCKET "BROWNING" #60B14 TYPE DBS	X-244739		
32	1	GUARD - CHAIN (SIDE - HYD. MOTOR)	B-257228		
31	1	LINK - CONNECTING MFG. STD. (FOR #60)	K-253521		
30	1	CHAIN "MFG. STD." ROLLER #60	K-090920		
29	1	PLATE - MTC. (HYDRAULIC MOTOR)	B-304783		
28	1	BAR - MTC. (HYDRAULIC MOTOR)	B-304784		
27	1	SPROCKET "BROWNING" #60B40	K-256453		
26	1	ASSEMBLY - CYLINDER	C-080180		
25	2	RACK - LEVELING	B-022805		
24	2	RACK - LEVELING	B-022806		
23	2	SPACER - STEEL	X-017011	B-020600	
22	1	BRACKET - MTC.(POWERTRACK/FITTINGS)	B-304795		
21	1	SADDLE	B-304795		
20	4	JAM NUT - HEX R.H. 1.250-12	K-225761		
19	1	PLATE - COVER (GEAR CASE)	B-017018		
18	2	GEAR - IDLING	B-017017		
17	2	CLAMP	A-304779		
16	2	SHAFT - IDLER GEAR	B-017016		
15	4	RING - RET. EXT. "WALDES" #5100-177	K-090064		
14	4	BEARING "N.D." #2498509	K-091324		
13	2	GEAR - LEVELING PINION	C-017013		
12	4	BEARING "MC OIL" #MR-40-MI-32	K-091326		
11	1	SHAFT - DRIVE	C-253327		
10	4	RING - RET. EXT. "WALDES" #5100-200	K-090066		
9	2	SPACER - STEEL	X-017057	B-070502	
8					
7	2	HOUSING - BELL	C-304786		
6	2	BLOCK - STOP	B-304785		
5	2	PLATE - NAME (WARNING - GUARD)	A-101151		
4	1	GUARD - SIDE (ELEC. MOTOR & WHEELS)	X-267367	B-028508	
3	1	SHAFT AXLE	C-017007		
2	4	WHEEL	C-017006		
1	1	HOUSING - COIL CAR	D-304784		

UNLESS OTHERWISE SPECIFIED FINISHED SURFACES SHALL BE:

125 MICRO INCH FINISH					
DIMENSIONS	TOLERANCE	DRAWN	DATE	SCALE	BY
X .001 X .01	.01"				
XXX .01"	.01"				
XXXX .001"	.001"				
X .XXX	.0005"				
XXXX .001"	.0005"				
XXXX .001"	.0005"				
XXXX .001"	.0005"				

VERSON INTERNATIONAL GROUP INC. LITTELL  
D-305053  
SCALE: 25:100