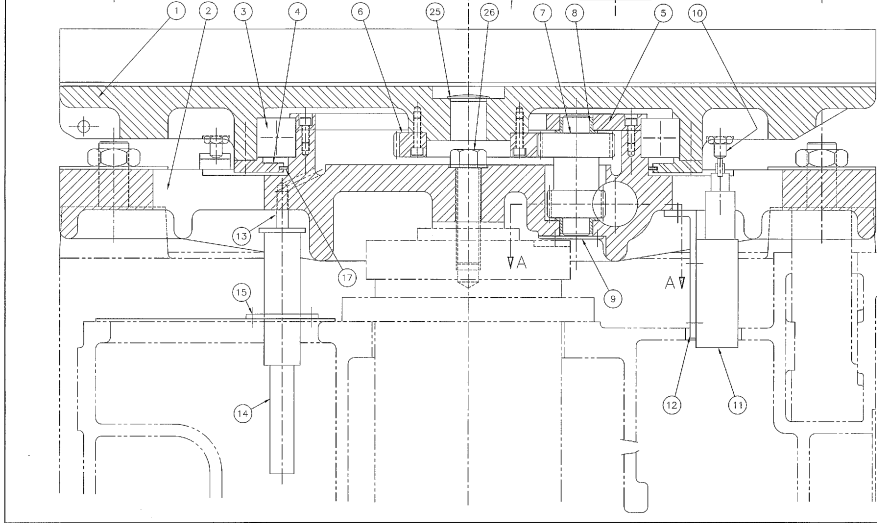
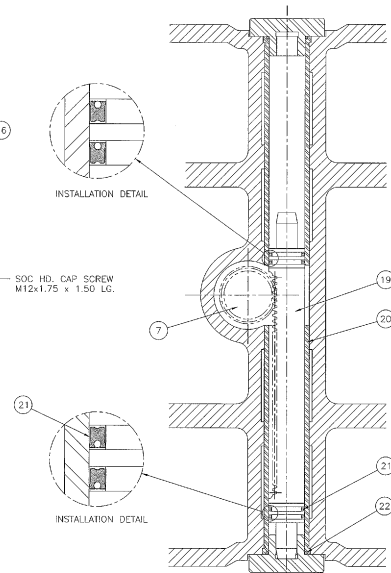
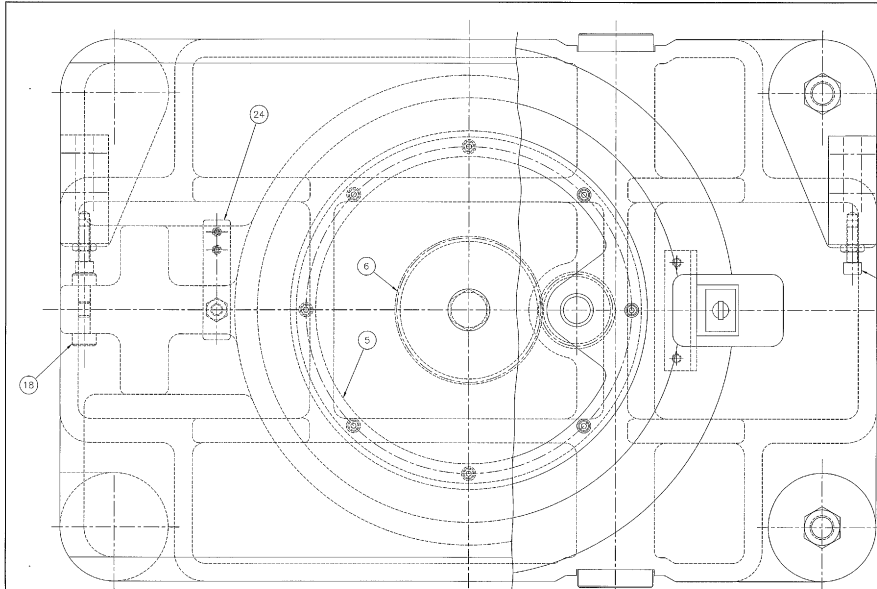


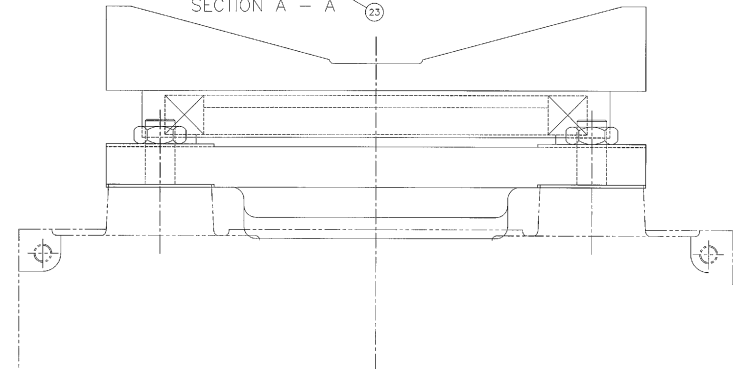
DATE	BY	CHKD	APP'D
02/27/84	A	A-30286	

D-28079 & D-60086



QTY	DESCRIPTION	PART NO.	DRW. NO.
26	1 SCREW "MAX AIR"	K-092001	
25	1 BUTTON-PLUS "McMASTER-CARR #966358"	K-318130	
24	1 POSITION LATCH	A-040902	
23	2 COVER - HYD. CYLINDER	A-285170	
22	2 O RING "NATIONAL" #E10082	K-092553	
21	4 SEAL "PARKER" POLYPAN#12501250	K-095354	
20	2 SLEEVE - CYLINDER	B-029583	
19	1 PISTON WITH RACK	B-026425	
18	2 BUTTON "MONROE" #BR-506	K-091387	
17	1 WICKING - FELT STRIP	K-093257	
16	2 BRACKET - ADJ. STOP	B-304782	
15	1 TUBING - GUIDE	A-029464	
14	1 TUBING	A-086087	
13	1 PIPE DRAIN	A-086088	
12	1 BRACKET - VTG. "MICROSWITCH" "A-B" SWITCH	A-028865 A-305054	
11	1 SWITCH "MICROSWITCH" #SML7 "B-B" SWITCH #8027-DF	K-061647 603020	
10	2 SWITCH DOGS	A-026433	
9	1 CAP - PINION	A-305052	
8	2 BUSHING "OLITE" #FF-1314-1	K-091320	
7	1 CLUSTER GEAR	B-026424	
6	1 GEAR - SADDLE DRIVE	B-285173	
5	1 RETAINER - BRG. SADDLE SUP.	C-304787	
4	1 RETAINER - BEARING SADDLE	C-304788	
3	1 BEARING "KAYDON" #B-5073-1	K-091331	B-242070
2	1 SADDLE - SUPPORT	D-304796	
1	1 SADDLE WITHOUT NARROW COIL SUPP WITH NARROW COIL SUPP	D-304795 D-305055	

SECTION A - A



FOR INCH DWG. SEE D-117953

FOR LAYOUT - COIL CAR ASSEMBLY
SEE DWG # D-305053 (DC DRIVE)

UNLESS OTHERWISE SPECIFIED		COPYRIGHT VERSON INTERNATIONAL GROUP INC. ALL RIGHTS RESERVED. THIS DOCUMENT IS THE PROPERTY OF VERSON INTERNATIONAL GROUP INC. NO REPRODUCTION OR USE OF ANY PORTION OF THIS DOCUMENT IS PERMITTED WITHOUT THE EXPRESS WRITTEN CONSENT OF VERSON INTERNATIONAL GROUP INC.	
DIMENSIONS		UNLESS OTHERWISE SPECIFIED	
X AND X.X	0.1"	DATE	10-05-80 JCL
XX	0.005"	SCALE	NONE
XXX	0.0005"	TITLE	LAYOUT - HYD. OPER. REPAIRABLE SADDLE PART 1 OF 1
XXXX	0.00005"	DRW. NO.	D-305056
FINISH: SHARP CORNERS 0.03 UNLESS OTHERWISE SPECIFIED		DWG. NO. 39944-01	



VERSON INTERNATIONAL GROUP INC.