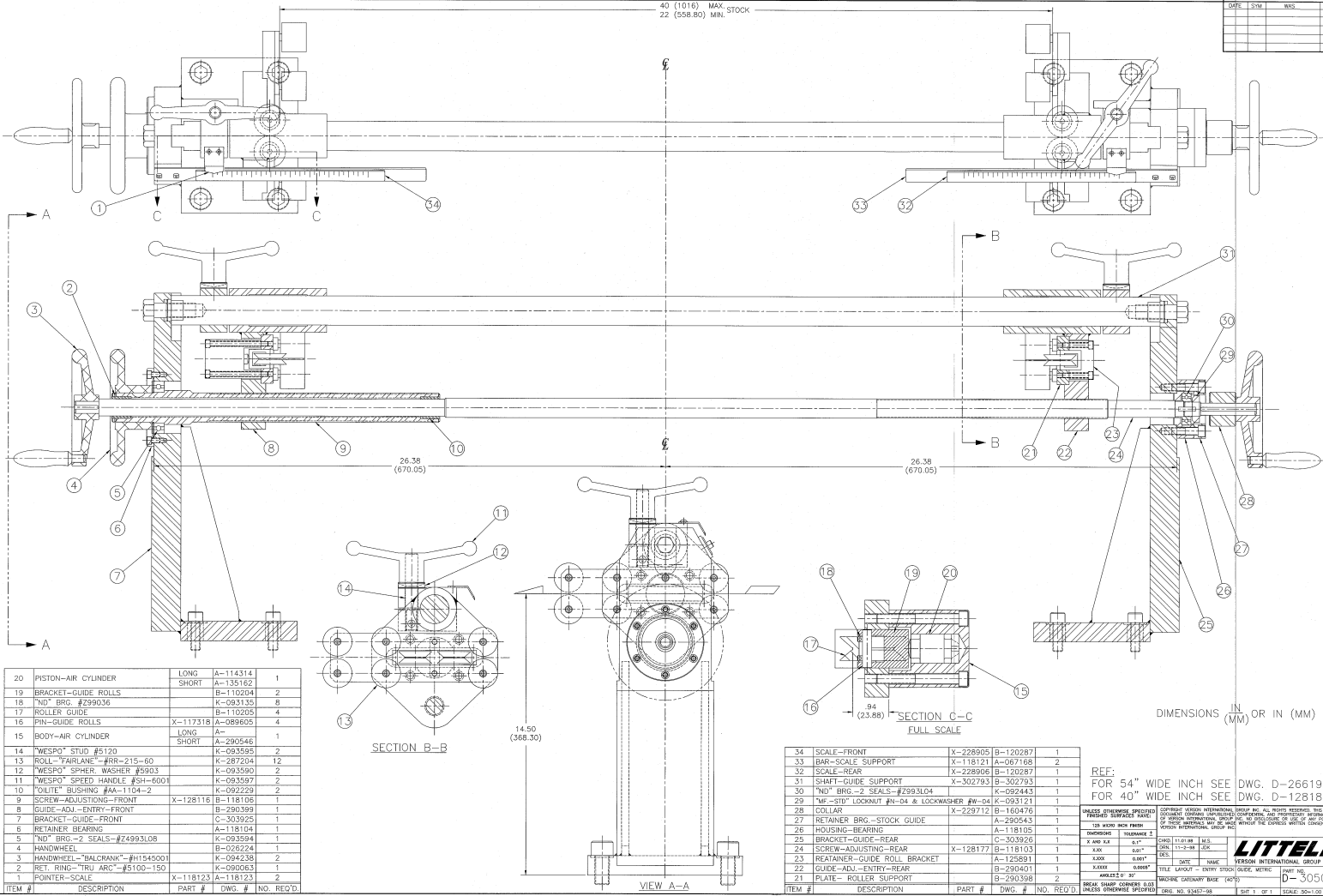


40 (1016) MAX. STOCK
22 (558.80) MIN.

SHT 1 OF 1

3250-D-305072	
DATE	BY



ITEM #	DESCRIPTION	PART #	DWG. #	NO. REQ'D.
20	PISTON-AIR CYLINDER	LONG A=114314 SHORT A=135162		1
19	BRACKET-GUIDE ROLLS	B=110204		2
18	ND* BRG. #299036	K=093135		8
17	ROLLER GUIDE	B=110205		4
16	PIN-GUIDE ROLLS	X=117318 A=089605		4
15	BODY-AIR CYLINDER	LONG A=		1
14	WESPO* STUD #5120	SHORT A=280546		2
13	ROLL-FAIRLANE* #RR-215-60	K=287204		12
12	WESPO* SPHER. WASHER #5903	K=093590		2
11	WESPO* SPEED HANDLE #SH-600K	K=093587		2
10	OILITE* BUSHING #AA-1104-2	K=092229		2
9	SCREW-ADJUSTING-FRONT	X=128116 B=118106		1
8	GUIDE-ADJ.-ENTRY-FRONT	B=290399		1
7	BRACKET-GUIDE-FRONT	C=303925		1
6	RETAINER BEARING	A=118104		1
5	ND* BRG.-2 SEALS-#24993LDR	K=093594		1
4	HANDWHEEL	B=026224		1
3	HANDWHEEL-BALCRANK-#H1345001	K=094238		2
2	RET. RING-TRU ARC-#5100-150	K=090063		1
1	POINTER-SCALE	X=118123 A=118123		2

ITEM #	DESCRIPTION	PART #	DWG. #	NO. REQ'D.
34	SCALE-FRONT	X=228905 B=120287		1
33	BAR-SCALE SUPPORT	X=118121 A=067168		2
32	SCALE-REAR	X=228906 B=120287		1
31	SHATT-GUIDE SUPPORT	X=302793 B=302793		1
30	ND* BRG.-2 SEALS-#2993L04	K=092443		1
29	MF-STD* LOCKNUT #N-D4 & LOCKWASHER #W-D4	K=093121		1
28	COLLAR	X=229712 B=160476		1
27	RETAINER BRG.-STOCK GUIDE	A=290545		1
26	HOUSING-BEARING	A=118105		1
25	BRACKET-GUIDE-REAR	C=303926		1
24	SCREW-ADJUSTING-REAR	X=128177 B=118103		1
23	RETAINER-GUIDE ROLL BRACKET	A=125891		1
22	GUIDE-ADJ.-ENTRY-REAR	B=290401		1
21	PLATE-ROLLER SUPPORT	B=290398		2

REF:
FOR 54" WIDE INCH SEE DWG. D-266195
FOR 40" WIDE INCH SEE DWG. D-128183

PLEASE REFER TO THE DRAWING FOR THE LOCATION OF THE PARTS LISTED IN THE PARTS LIST. THE PARTS LIST IS A SUMMARY OF THE PARTS LISTED IN THE DRAWING. IT IS NOT A SUBSTITUTE FOR THE DRAWING. THE PARTS LIST IS SUBJECT TO CHANGE WITHOUT NOTICE.

LITTELL
VERSON INTERNATIONAL GROUP INC.

DATE: 08/05/99
TITLE: LAYOUT - ENTRY STUD GUIDE, METRIC
PART NO.: D-305072
SCALE: 3/4"=1" (1:1)

PLATED: 08/05/99 AT 18:00