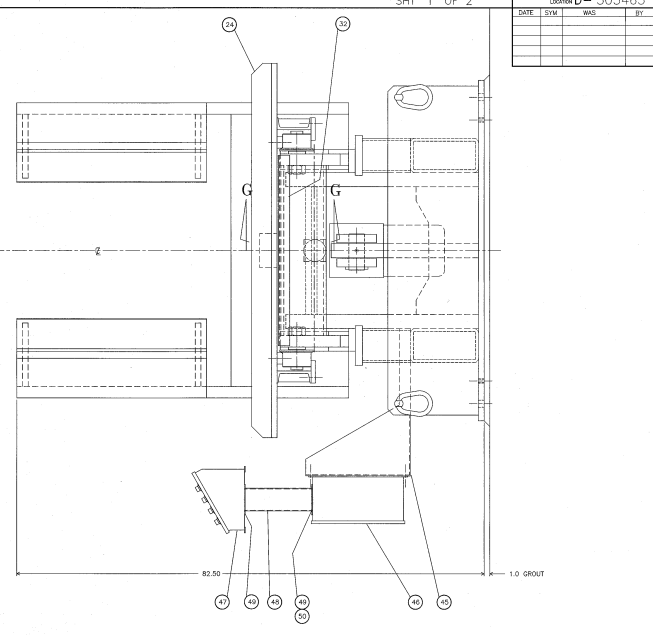
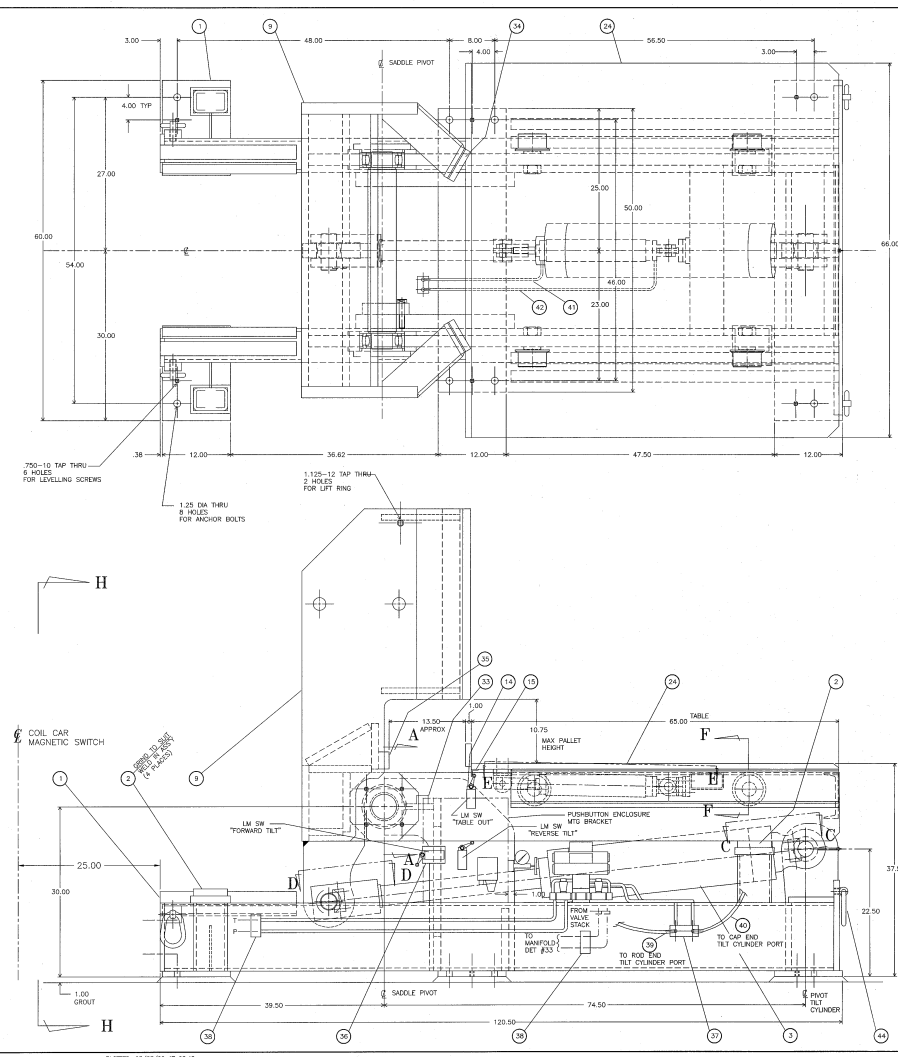


Part		305463	
DATE	SYN	ISS	BT



FOR INCH DWG. SEE D-267574

UNLESS OTHERWISE SPECIFIED FINISHED SURFACES HAVE:		DRAWING NUMBER	
132 UNLESS OTHERWISE SPECIFIED		111-101-99	
INCHES	FRACTIONS	DATE	NAME
1/8 AND 1/4	0/16"	11-10-98	JER
1/2	8/16"	11-10-98	JER
3/4	12/16"		
1	16/16"		
1 1/2	24/16"		
2	32/16"		
3	48/16"		
4	64/16"		
5	80/16"		
6	96/16"		
7	112/16"		
8	128/16"		
9	144/16"		
10	160/16"		
11	176/16"		
12	192/16"		
13	208/16"		
14	224/16"		
15	240/16"		
16	256/16"		
17	272/16"		
18	288/16"		
19	304/16"		
20	320/16"		
21	336/16"		
22	352/16"		
23	368/16"		
24	384/16"		
25	400/16"		
26	416/16"		
27	432/16"		
28	448/16"		
29	464/16"		
30	480/16"		
31	496/16"		
32	512/16"		
33	528/16"		
34	544/16"		
35	560/16"		
36	576/16"		
37	592/16"		
38	608/16"		
39	624/16"		
40	640/16"		
41	656/16"		
42	672/16"		
43	688/16"		
44	704/16"		
45	720/16"		
46	736/16"		
47	752/16"		
48	768/16"		
49	784/16"		
50	800/16"		
51	816/16"		
52	832/16"		
53	848/16"		
54	864/16"		
55	880/16"		
56	896/16"		
57	912/16"		
58	928/16"		
59	944/16"		
60	960/16"		
61	976/16"		
62	992/16"		
63	1008/16"		
64	1024/16"		
65	1040/16"		
66	1056/16"		
67	1072/16"		
68	1088/16"		
69	1104/16"		
70	1120/16"		
71	1136/16"		
72	1152/16"		
73	1168/16"		
74	1184/16"		
75	1200/16"		
76	1216/16"		
77	1232/16"		
78	1248/16"		
79	1264/16"		
80	1280/16"		
81	1296/16"		
82	1312/16"		
83	1328/16"		
84	1344/16"		
85	1360/16"		
86	1376/16"		
87	1392/16"		
88	1408/16"		
89	1424/16"		
90	1440/16"		
91	1456/16"		
92	1472/16"		
93	1488/16"		
94	1504/16"		
95	1520/16"		
96	1536/16"		
97	1552/16"		
98	1568/16"		
99	1584/16"		
100	1600/16"		

PLOTTED: 03/23/99 AT 08:42