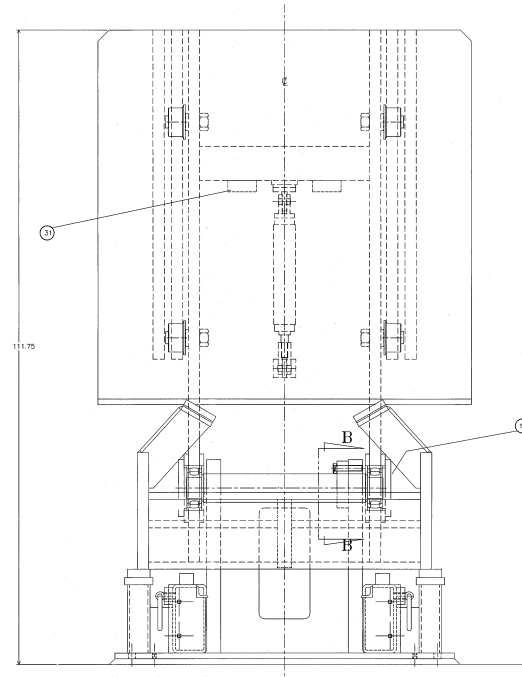
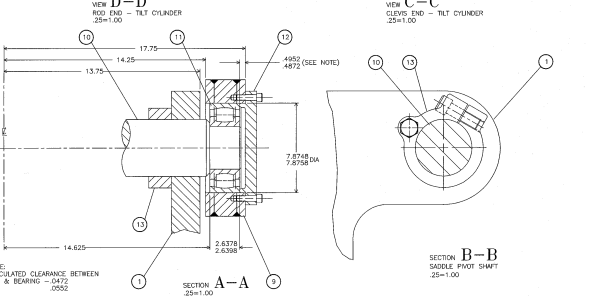
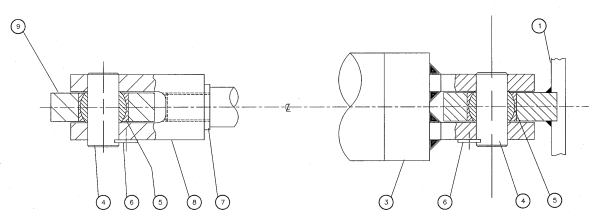
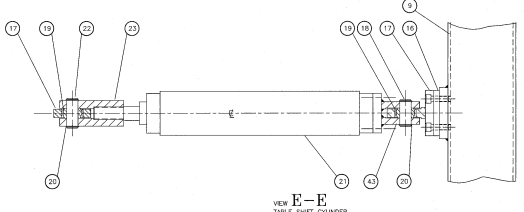
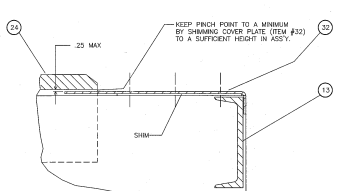
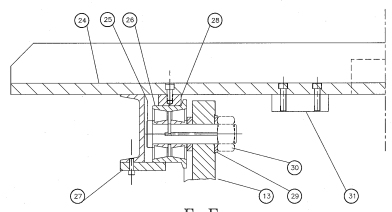


FORM		REV	
DATE	BY	DESCRIPTION	BY

FORM D-305463



DET. #	QTY.	PART #	DESCRIPTION	DWG. #
50	1	095162	WIREWAY-GASKET "HOFFMAN" #F-44WG	
49	2	095482	WIREWAY-BLK CONNECTOR "HOFFMAN" #F44WB	
48	1	095484	WIREWAY-"HOFFMAN" #F44W12 (4 x 4 x 12)	
47	1	SEE PARTS LIST	ENCLOSURE-SLOPING FRONT PUSHBUTTON "HOFFMAN" #E-S12SPBA	
46	1	1305457	BRACKET-MTG-ENCLOSURE	B-305457
44	4	091397	RING-TIE DOWN "PURITAS" #48B7796 (10000 LB)	
43	1	305456	CLEVIS-TABLE SHFT CYLINDER	B-305456
42	1		HOSE-ASSY PARKER #301-6 HOSE, #20130-6-6 & #20630-6-6 FITTINGS, .38 I.D. x 49" OA LENGTH (ROD END)	B-305456
41	1		HOSE-ASSY PARKER #301-6 HOSE, #20130-6-6 & #20630-6-6 FITTINGS, .38 I.D. x 30" OA LENGTH	B-305456
40	1	093926	HOSE-ASSY "AEROCOUP" #1508-12 HOSE, #4729-12 & #4730-12 FITTINGS, .75 I.D. x 40" OA LENGTH	B-305456
39	1	093925	HOSE-ASSY "AEROCOUP" #1508-12 HOSE, #4729-12 & #4730-12 FITTINGS, .75 I.D. x 40" OA LENGTH	B-305456
38	2	248538	MANFOLD	B-221353
37	1	267562	MANFOLD	B-017395
36	1	305452	PLATE-MTG-LIMIT SWITCH	A-305452
35	1	026524	BUCK-BUMPER-TABLE	B-245503
34	2	121710	PAD-SADDLE	A-060165
33	1	122337	MANFOLD	A-122337
32	1	305454	COVER-TILT CYLINDER	B-305454
31	2	305451	STOP-TILT TABLE	A-305451
30	4	225719	NUT-HEX 1.75-12 R.H. THD.-FULL	B-030700
29	4	122348	WASHER-STL (1.75 x 3.25 x .25 THK.)	B-030700
28	2	305455	RAIL-WEAR	B-305455
27	2	121709	RETAINER-WHEEL	B-121709
26	4	093924	WHEEL-FLANGED "TIMKIN" PER TIMKIN DWG. #A-34081	B-030700
25	4	121707	AXLE-TILT SADDLE	B-121707
24	1	305461	TABLE-TILT	D-305461
23	1	121721	CLEVIS-TILT TABLE CYLINDER	B-121721
22	1	121726	PN-CLEVIS	B-121726
21	1	093798	CYLINDER-HYD "ORTMAN-MILLER" SER 101 MOD TH	B-052240
20	4	090008	RING-RET "WALDES" TRU-ARC #5100-100	B-052240
19	2	093652	BUSHING-SELF ALIGNING "RBC" #B-16-L	B-052240
18	1	048658	PN-CLEVIS	B-052240
17	2	121720	PIVOT-TABLE CYLINDER	B-121720
16	1	121719	SPACER-TILT TABLE CYLINDER	A-121719
15	1	125512	ACTUATOR-LIMIT SWITCH	A-125512
14	3	090667	SW-LIMIT "50-D" CLASS 9007 #AW-12-CA	B-305456
13	1	121706	COLLAR-RETAINER	B-121706
12	2	305453	COVER-BEARING	B-305453
11	2	093651	"RBC"-"MCCILL" SER. ROLLER #SB22319-SS	B-305453
10	1	305459	SHAFT-TILT SADDLE	B-305459
9	1	305462	SADDLE-TILT	B-305462
8	1	305458	CLEVIS-TILT CYLINDER	B-305458
7	1	146293	SPACER-TILT CYLINDER	B-131744
6	2	054157	LOCK-CLEVIS PIN	B-042758
5	2	092978	BUSHING-SELF ALIGNING "RBC" #B-44-L	B-042758
4	2	305450	PN-CLEVIS	A-305450
3	1	161850	CYLINDER-TILT SADDLE 8.00 BORE x 27.00 STROKE	B-161850
2	4	256503	BLOCK-SHM (GRIND & WELD IN ASSY)	B-256503
1	1	305460	BASE	D-305460

DIMENSIONS		TOLERANCE 2		DATE		TITLE	
X	AND X/2	0.1"	0.1"	REV	DATE	BY	CHK
XXX		0.005"	0.005"	REV	DATE	BY	CHK
XXXX		0.001"	0.001"	REV	DATE	BY	CHK
XXXXX		0.0005"	0.0005"	REV	DATE	BY	CHK
XXXXXX		0.0002"	0.0002"	REV	DATE	BY	CHK

NOTE: DIMENSIONS SPECIFIED UNLESS OTHERWISE SPECIFIED. DIMENSIONS SPECIFIED IN PARENT PARENTHESIS ARE FOR INFORMATION ONLY. DIMENSIONS SPECIFIED IN BRACKETS ARE FOR INFORMATION ONLY. DIMENSIONS SPECIFIED IN SMALL CAPITAL LETTERS ARE FOR INFORMATION ONLY. DIMENSIONS SPECIFIED IN ALL CAPS ARE FOR INFORMATION ONLY. DIMENSIONS SPECIFIED IN ALL CAPS ARE FOR INFORMATION ONLY. DIMENSIONS SPECIFIED IN ALL CAPS ARE FOR INFORMATION ONLY.

DATE: 08/23/99 BY: [Signature] CHK: [Signature]

SCALE: 1/2"=1'-0" (SEE DWG.)

