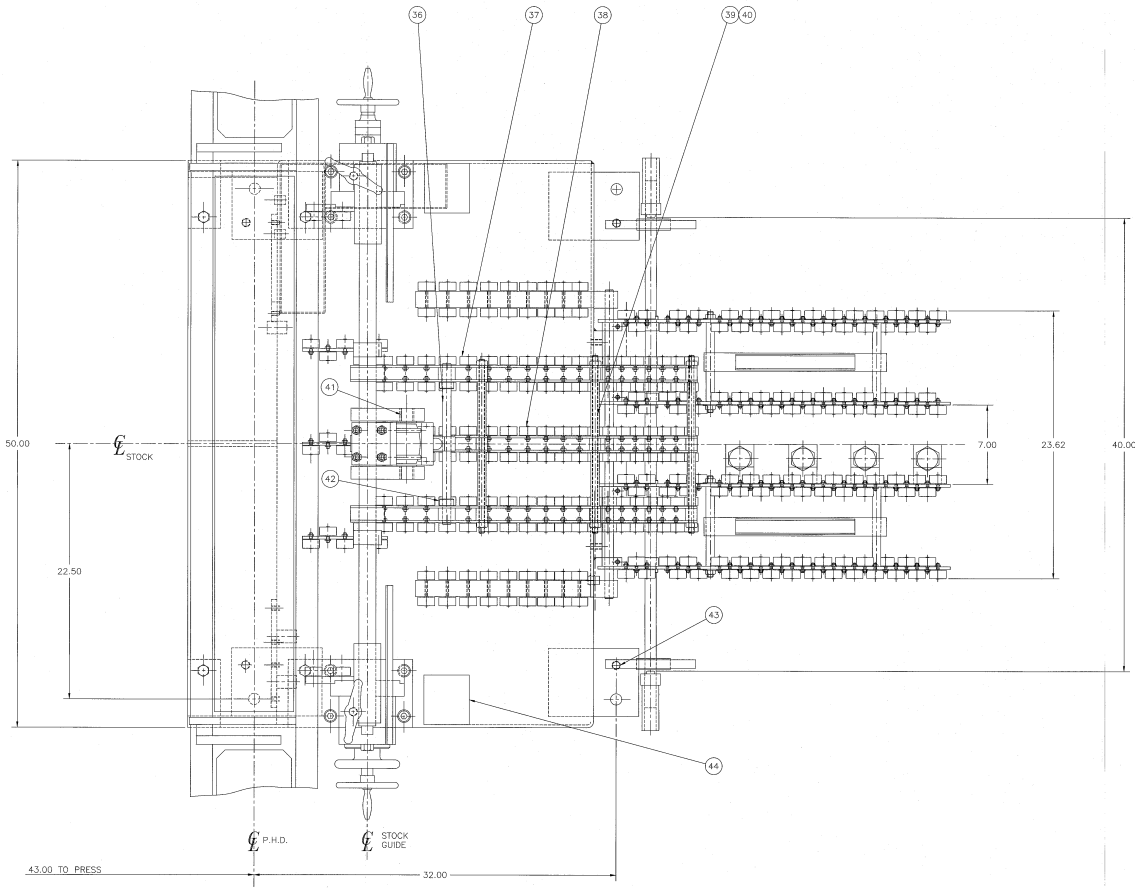
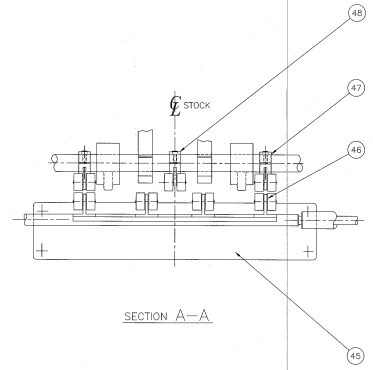


FORM		D-306927	
DATE	BY	DATE	BY



PLAN VIEW



SECTION A-A

STRAIGHT SHARP CORNERS SPECIFIED UNLESS OTHERWISE SPECIFIED		LITTELL SYSTEM INTERNATIONAL, BOSTON, MASS. RESERVES THE RIGHT TO CHANGE DIMENSIONS, MATERIALS, AND PROPORTIONS WITHOUT NOTICE.	
125 MICRO INCH FINISH UNLESS OTHERWISE SPECIFIED		LITTELL SYSTEM INTERNATIONAL, BOSTON, MASS. RESERVES THE RIGHT TO CHANGE DIMENSIONS, MATERIALS, AND PROPORTIONS WITHOUT NOTICE.	
DIMENSION	TOLERANCE	DRAWN	DATE
X AND X.X	±0.1"	CHD	04-09-64
1.00	±0.01"	CHD	04-09-64
1.000	±0.001"	DES	
1.0000	±0.0001"	DATE	
ASSEMBLED BY	TITLE	ISSUED BY	SCALE
	ASSEMBLY - CATERPILLAR PIN HOLE		1:1
	FINISHES - METRIC - (MAG. BORE)		
	FINISHES - IMP. - (MAG. BORE)		
	FINISHES - METRIC - (MAG. BORE)		
	FINISHES - IMP. - (MAG. BORE)		

**LITTELL**  
 SYSTEM INTERNATIONAL, BOSTON, MASS.  
 PART NO. **D-306927**  
 SHEET NO. 2 OF 2