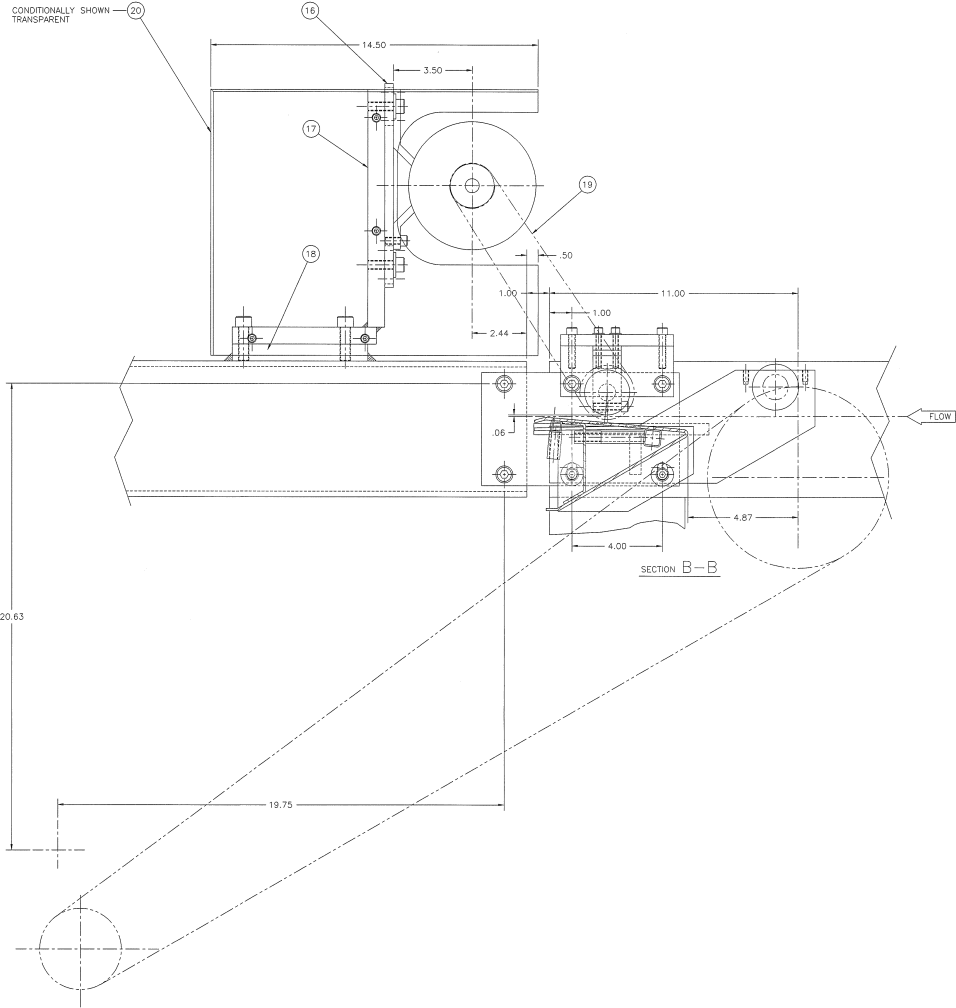


FORM D-308185			
DATE	BY	CHKD	BY



UNLESS OTHERWISE SPECIFIED: FINISH SURFACES HAVE:		LITTELL INTERNATIONAL GROUP INC. ALL RIGHTS RESERVED. THIS DRAWING CONTAINS UNCLASSIFIED INFORMATION. IT IS THE PROPERTY OF LITTELL INTERNATIONAL GROUP INC. AND IS TO BE USED ONLY FOR THE PURPOSES SPECIFIED. IT IS TO BE KEPT SECRET AND NOT TO BE REPRODUCED OR TRANSMITTED IN ANY FORM OR BY ANY MEANS WITHOUT THE WRITTEN PERMISSION OF LITTELL INTERNATIONAL GROUP INC.		LITTELL LITTELL INTERNATIONAL GROUP INC.	
DRAWN BY: J. TOLSON		DATE: 11-08-64			
CHECKED BY: J. TOLSON		DATE: 11-08-64		D-308185	
DESIGNED BY: J. TOLSON		DATE: 11-08-64			
MATERIAL: 303 STAINLESS STEEL		FINISH: 16-26 SICKER		SCALE: 20:1	
BREAK SUMP COMPENS. 0.03		UNLESS OTHERWISE SPECIFIED:		Dwg. No. 12399-09	