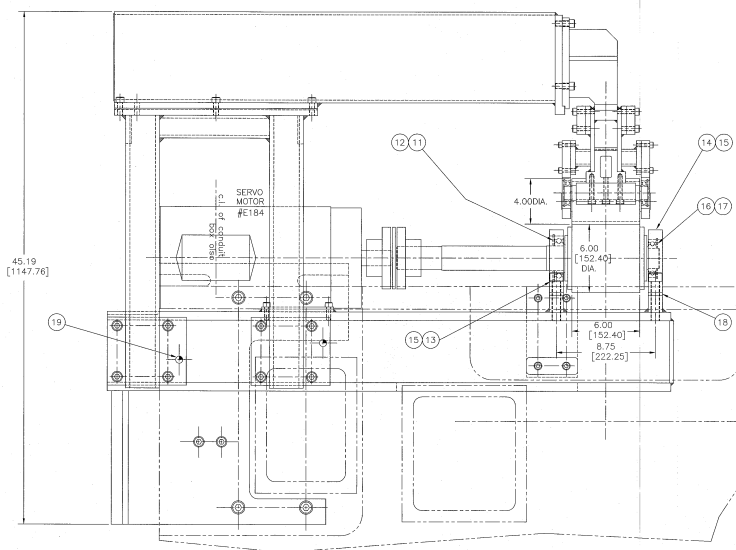
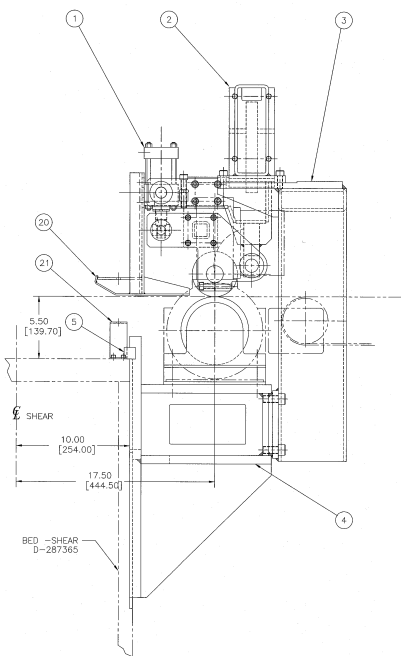
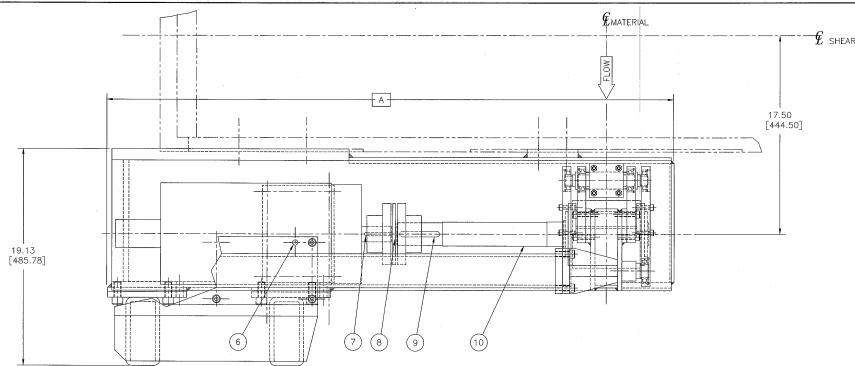


DATE	BY	CHKD	APP'D



54"	57.12 [1451.0]	310018	310019	310020
40"	50.12 [1273.3]	309061	309064	309066
MAT'L WIDTH	A	B	C	D

DET	QTY	PART No	DESCRIPTION	DWG No
21	1	309976	BRACKET - SW. MTC. BUCKLE DETECTOR	A-309976
20	1	309089	DEFLECTOR-UPPER T.A. ROLL	C-309089
19	2	312026	PIN DOWEL 12MM DIA. x 25MM LG	B-267262
18	2	295593	SHIM - BRKT. BRG.	B-295593
17	1	091296	RING - RET. "SPIROLOX" #RR1-334	B-290556
16	1	090271	BRG. - "ND" #Z99509 1.7717x3.3465x.748	B-290556
15	4	295589	PIN-DOWEL ROLL OUT 9MM DIA.	B-290556
14	1	310111	BRACKET BEARING (FRONT)	B-290556
13	1	310110	BRACKET BEARING (REAR)	B-290556
12	1	093058	RING - RET. "SPIROLOX" #RR1-393	B-290556
11	1	090988	BRG. - "ND" #Z99511 2.1654x3.9370x.8268	B-290556
10	1	CHART-D	ROLL - LOWER	B-055000
9	1	018353	KEY 500x500 x 3.50 G.	B-055000
8	1	309065	COUPLING - SINGLE FLEXING	B-309065
7	1	057804	KEY 312x312 x 2.38LG.	B-055000
6	2	PS307526	PIN DOWEL 12MM DIA. X 32MM LG.	B-083618
5	2	125929	KEY 1.000x1.000 x 4.00LG.	B-083618
4	1	CHART-C	BRACKET - TAKE AWAY ROLLS	C-309063
3	1	309063	BRACKET - RISER UPPER ROLL	C-309063
2	1	CHART-B	BEAM - UPPER TAKE AWAY ROLL	D-309066
1	1	309060	ASSY - UPPER TAKE AWAY ROLL IDLER	D-309066

PARTS LIST

Copyright 2008 Verson International, Group, Inc. All rights reserved. This document contains proprietary information and is the property of Verson International, Group, Inc. No part of this document may be reproduced or transmitted in any form or by any means, electronic or mechanical, including photocopying, recording, or by any information storage and retrieval system, without the prior written permission of Verson International, Group, Inc.

DATE: 09/13/01
 FILE: 308190
 DRAWING: 308190 D-308190
 SHEET: 1 OF 1
 SCALE: 3/4"=1'-0"



FOR L-R SEE D-315669