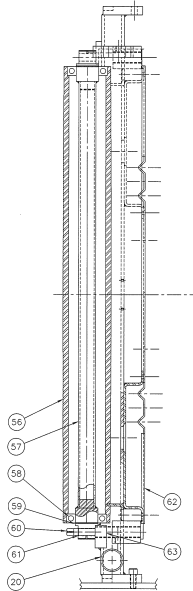
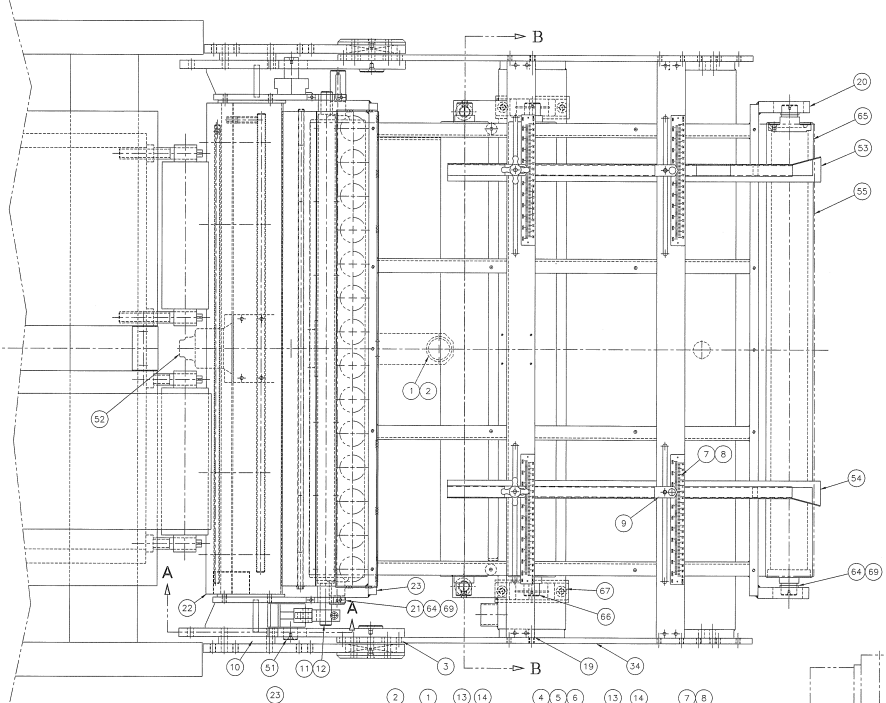


DATE	BY	WAS	BY

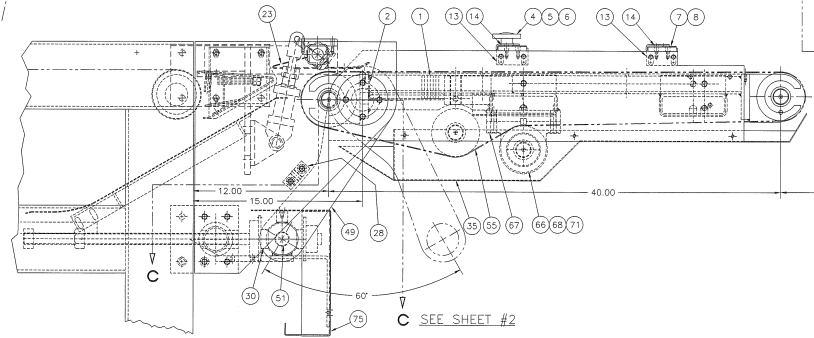
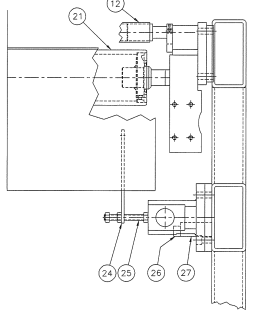
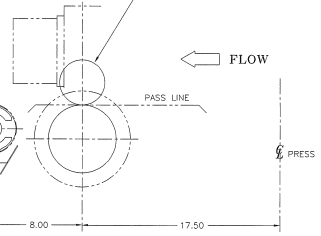
REF:  
304149, METRIC N/VAC 12" BELT  
301433 INCH W/VAC 30" BELT



SECTION B-B



LAYOUT - TAKEAWAY ROLL. ELECT.  
SEE D-308190



SEE SHEET #2

Copyright 1999 by LITTELL INTERNATIONAL GROUP INC. All rights reserved. This drawing is the property of LITTELL INTERNATIONAL GROUP INC. and is not to be reproduced or used in any manner without the express written consent of LITTELL INTERNATIONAL GROUP INC.

DATE	BY	WAS	BY

CADD: LAY/15/00 JPP  
 DATE: 04/10/00 JPP  
 DES: LITTELL INTERNATIONAL GROUP INC.  
 TITLE: LAYOUT-HOIST CONV-METRIC  
 PART NO: D-308433  
 DRG. NO: 8988-00 SHT 1 OF 2 SCALE: 25:1 (2.00)