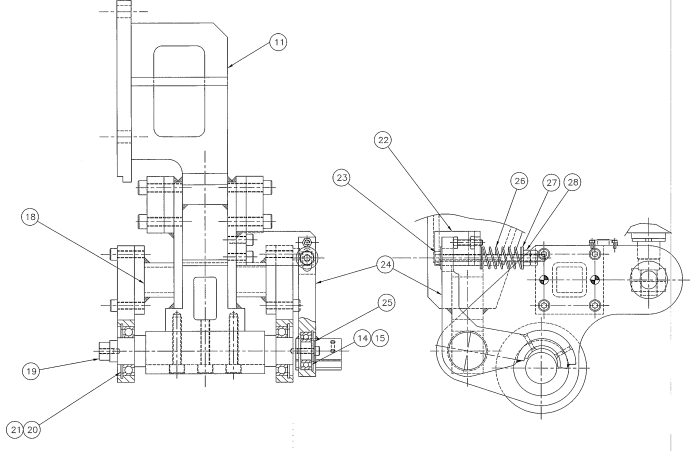
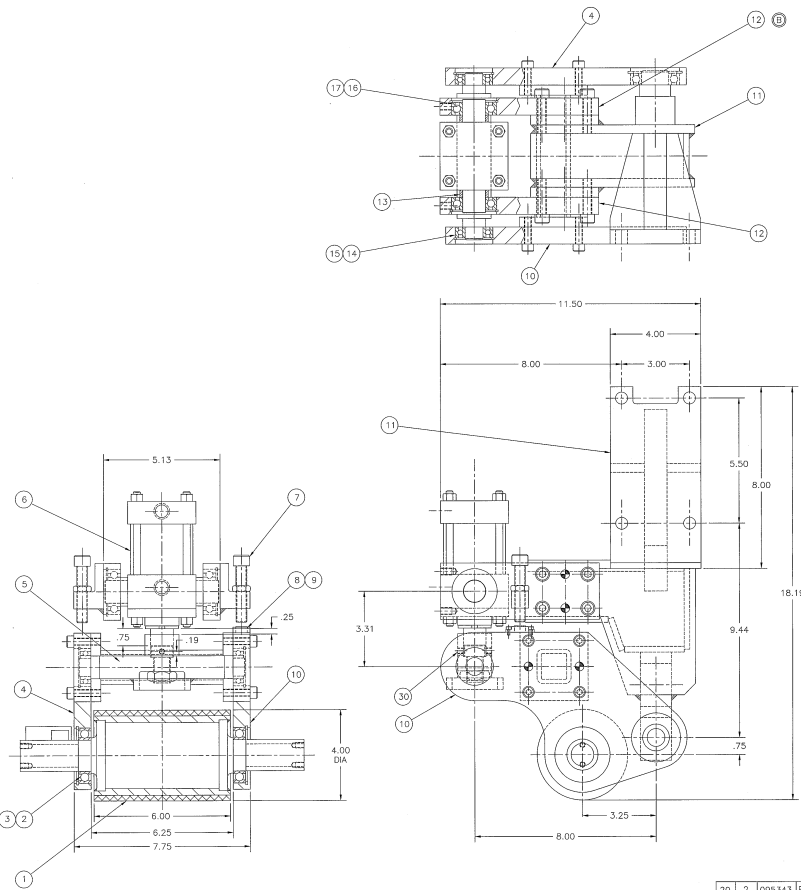


FOR L-R SEE D-315671



QTY	PART No	DESCRIPTION	DWG No
20	2	227656 SCREW-SET .250-20 x .38 LG, DOC PT PS	
29	1		
28	2	225775 NUT - "FLEXLOC" FULL RH 312-18	
27	3	202855 WASHER - FLAT 312 1/2 STANDARD	
26	1	097867 SPRING - "DANLY" #9-1208-21 375x.750x2.0LG	
25	1	067895 WASHER - .25"D x 1"OD x .125"THK B-034600	
24	1	309078 LEVER - BRAKE B-309078	
23	1	097662 SCREW - HEX HD CAP 3125-18 x 4.50" LG	
22	1	309078 BRACKET - BRAKE ADJUSTMENT A-309078	
21	2	095344 RING-RETAINING "WALDES" #NS000-218 (INTERNAL)	

PARTS LIST

QTY	PART No	DESCRIPTION	DWG No
20	2	095343 BRG - "ND" #2993L06 1.1811x2.1654x.5118	
19	1	309077 BAR - PIWOT B-309077	
18	1	309076 SPACER B-309076	
17	2	091056 RING-RET. "WALDES" #NS000-209 (INTERNAL)	
16	2	092510 BRG - "NICE" #184TDS 1.000x2.000x.869	
15	2	309075 RING-RETAINING "WALDES" #NS000-165 (INTERNAL)	
14	3	092443 BRG - "ND" #2993L04 .7874x1.6536x.4724	
13	2	120193 SPACER 1.001 IDx1.25 ODx.312LG B-109806	
12	2	309074 BAR - CYLINDER MOUNTING B-309074	
11	1	309073 BRACKET - UPPER TAKE AWAY ROLL C-309073	

PARTS LIST

QTY	PART No	DESCRIPTION	DWG No
10	1	309072 PLATE - LIFT REAR C-309068	
9	1	309071 NEST - PAD A-309071	
8	1	138028 PAD-CYLINDER STOP (.5 DIA) A-126976	
7	2	PS28677 SCREW SOC. HD CAP #12x1.75 x 70mm LG	
6	1	309070 CYLINDER - "PARKER" #2.5"D-2AU3441"	
5	1	309069 BAR - CYLINDER ROD END B-309069	
4	1	309068 PLATE - LIFT FRONT C-309068	
3	2	091416 RING-RETAINING "WALDES" #NS000-244 (INTERNAL)	
2	2	092550 BRG - "ND" #2993L07 1.378x2.4409x.5512	
1	1	309067 ROLL - TAKE AWAY IDLER B-309067	

PARTS LIST

Copyright LITTELL INTERNATIONAL, INC. ALL RIGHTS RESERVED. THIS DOCUMENT CONTAINS UNCLASSIFIED, CONFIDENTIAL, AND PROPRIETARY INFORMATION OF LITTELL INTERNATIONAL, INC. NO DISSEMINATION OR USE FOR ANY PURPOSE OF THESE MATERIALS AND ALL SALES WITHOUT THE EXPRESS WRITTEN CONSENT OF LITTELL INTERNATIONAL, INC.

DRW: HCN/SLV/MS MS  
 DES: HCN/SLV/MS MS  
 DEL: HCN/SLV/MS MS

TITLE ASSEMBLY - UPPER TAKE-AWAY ROLL PART NO. D-309060  
 SCALE: 3/4"=1" (30) SH 1 OF 1

DRW: NO. 84033-88

