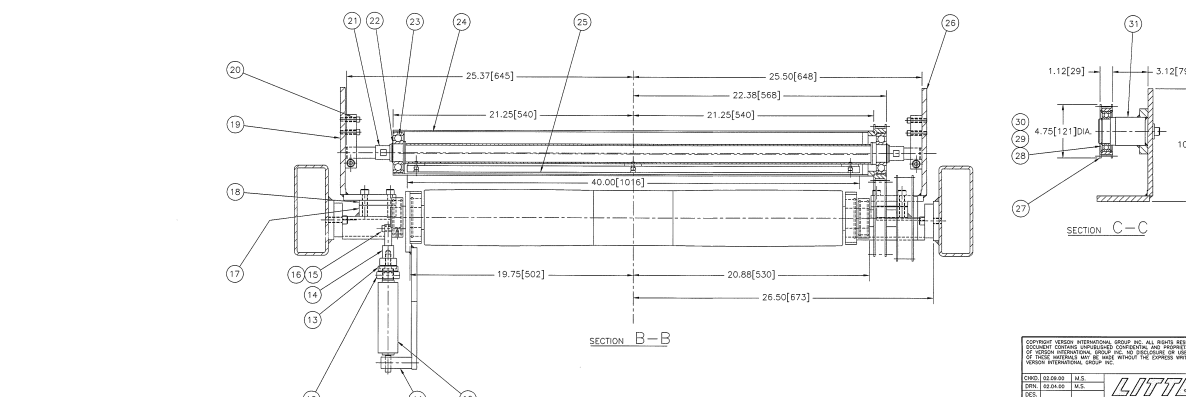
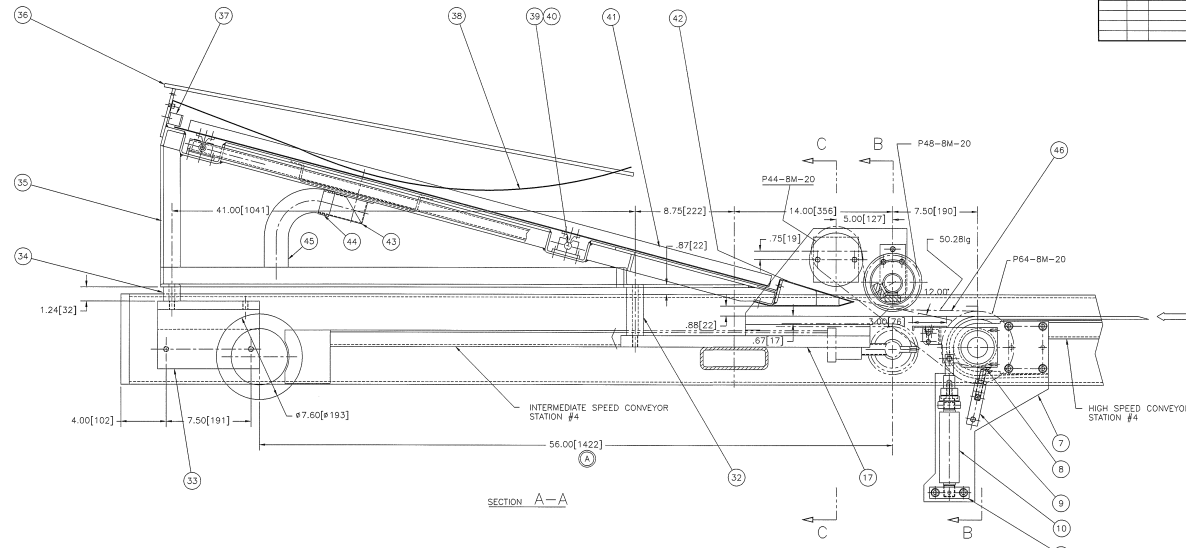


DATE	BY	BY
1	ADDL	ADDL
2	ADDL	ADDL
3	ADDL	ADDL
4	ADDL	ADDL
5	ADDL	ADDL
6	ADDL	ADDL
7	ADDL	ADDL
8	ADDL	ADDL
9	ADDL	ADDL
10	ADDL	ADDL
11	ADDL	ADDL
12	ADDL	ADDL
13	ADDL	ADDL
14	ADDL	ADDL
15	ADDL	ADDL
16	ADDL	ADDL
17	ADDL	ADDL
18	ADDL	ADDL
19	ADDL	ADDL
20	ADDL	ADDL
21	ADDL	ADDL
22	ADDL	ADDL
23	ADDL	ADDL
24	ADDL	ADDL
25	ADDL	ADDL
26	ADDL	ADDL
27	ADDL	ADDL
28	ADDL	ADDL
29	ADDL	ADDL
30	ADDL	ADDL
31	ADDL	ADDL
32	ADDL	ADDL
33	ADDL	ADDL
34	ADDL	ADDL
35	ADDL	ADDL
36	ADDL	ADDL
37	ADDL	ADDL
38	ADDL	ADDL
39	ADDL	ADDL
40	ADDL	ADDL
41	ADDL	ADDL
42	ADDL	ADDL
43	ADDL	ADDL
44	ADDL	ADDL
45	ADDL	ADDL
46	ADDL	ADDL



55			
54			
53	1	309996	BRACKET - MTG. INSECTION STATION A-309996
52	1	091866	SWITCH "MICRO" LIMIT # B2E-2RN A-288674
51	1	288674	PLATE - SWITCH MOUNTING A-288674
50	1	095090	CATCH - "CLYNN-JOHNSON" #GJ22 B-287514
49	1	287515	BRACKET - MTG CATCH B-287514
48	5	138086	PLATE - WEAR B-138086
47	1	288813	BAR - HANDLE A-288813
46	1	309911	BELT - "WOODS" #1280-BM-20, TWIN POWER B-137038
45	2	084274	HOSE - "Mc M.C." AIR FLEXIBLE #5250277 2.00"ID A-163042
44	4	094275	CLAMP - "Mc M.C." #5415K19 2.5" ID,MAX D-314003
43	4	137038	NOZZLE - BLOWER CONV. BELT D-288811
42	1	163042	SHOE-DEFLECTOR-INSP. UNIT D-288811
41	1	314003	L-R FEED DIR TRAY - INSPECTION D-288811
40	2	288812	SHAFT-"THOMSON" ASSY #SRA-10
39	4	231850	PILLOW BLOCK - 59B-10-09N - #245 DIA. BORE
38	1	138039	DEFLECTOR - SHEET B-138039
37	1	138085	BUMPER - SHEET B-138085
36	1	288678	BAR - MOUNTING A-288678
35	1	288668	FRAME - INSPECTION TRAY D-288668
34	2	309915	SPACER - FRAME A-138088
33	1	309907	BRACKET - MTG. INSECTION STATION A-309907
32	2	138088	SPACER - FRAME A-138088
31	1	309913	TENSIONER - BELT B-309913
30	1	090067	RING - RETAINING "WALDES" # S100-215(EXTERNAL)
29	2	232735	RING - RETAINING "WALDES" #5000-354 (INTERNAL)
28	1	309916	BEARING - BALL "N.D." #2993L11, 2.1654x3.543x3.7087 A-309912
27	1	309912	PULLEY - IDLER A-309912
26	1	309908	BRACKET - MTG. MAGNETIC ROLL REAR C-309908
25	2	306014	MAGNET - "M" #MR-2000 .561HK x 1.38W x 40.0LG B-309910
24	1	309910	ROLL - INSPECTION B-309910
23	2	093176	RING - RETAINING "WALDES" #5100-156 (EXTERNAL)
22	2	093183	BRG. - "N.D." #299608 SINGLE ROW TWO SEALS
21	1	306010	SHAFT - MAGNETIC ROLL B-306007
20	2	306019	BLOCK - MOUNTING SHAFT A-306019
19	1	306000	BRACKET - MTG. MAGNETIC ROLL FRONT C-309908
18	2	309914	SPACER A-277939
17	2	309906	PLATE - MTG. INSPECTION STATION A-309906
16	1	280306	ROLL - MFG-STD SHOULDER .375 DIA x .675 LG B-306008
15	1	090331	BUSHING - "OILITE" #AA-521-10 .375 x .503 x .62 A-126876
14	1	306008	ROD - END CYLINDER B-306008
13	1	138021	PAD - CYLINDER STOP A-126876
12	1	286045	STOP - CYLINDER A-126876
11	1	138025	BRACKET - CYLINDER PIWOT B-138025
10	1	266317	CYLINDER-"ALLEN AIR" #AV1.5x1.0-SV5--A2--2.4W C-309901
9	1	309905	BRACKET - STOP A-309905
8	1	138028	PAD - CYLINDER STOP A-126876
7	1	309901	BRACKET - MTG. GATE & ACTUATOR C-309901
6	1	090066	RING-RET. "WALDES" EXT. #5100-177 1.772 DIA. B-309902
5	4	217225	RING-RET. "WALDES" INT. #NS000-300 2.95 DIA. B-309903
4	2	238306	BEARING - BALL "N.D." #2993L09, 1.7119x2.828x4.699 B-309904
3	2	309902	BRACKET - GATE PIWOT B-309902
2	2	309903	SUPPORT - GATE B-309903
1	1	309904	GATE - INSPECTION STATION B-309904
DET	QTY	PART No	DESCRIPTION DWG No

CONTRACT INTERMEDIATION GROUP INC. ALL RIGHTS RESERVED. THIS DOCUMENT CONTAINS CONFIDENTIAL INFORMATION. ANY REPRODUCTION OR DISSEMINATION OF THIS DOCUMENT WITHOUT THE EXPRESS WRITTEN CONSENT OF INTERMEDIATION GROUP INC.

DATE: 01/14/01  
 BY: [Signature]  
 TITLE: [Signature]  
 WORKING TITLE: [Signature]

CONTRACT NO. 04220-09  
 SHEET NO. 02  
 SCALE: 25x10/100

CONTRACT INTERMEDIATION GROUP INC.  
 11000 WILSON AVENUE, SUITE 100  
 WILSON, CA 94094  
 TEL: 415.947.1000  
 FAX: 415.947.1001  
 WWW: WWW.INTERMEDIATIONGROUP.COM