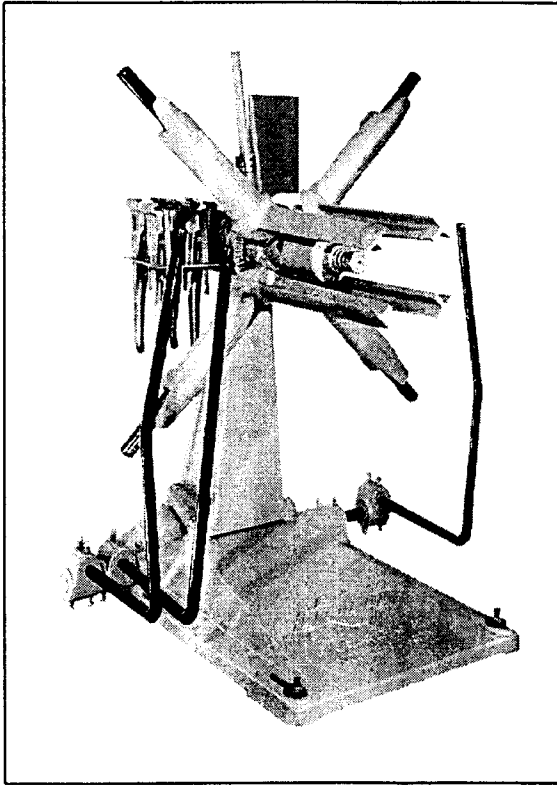


LITTELL



PARTS LIST AND OPERATING INSTRUCTIONS FOR NUMBER 10 PLAIN AUTOMATIC CENTERING REEL

CAPACITIES

MAX. WEIGHT OF COIL	1000 lbs.
INSIDE DIA.	12" - 21"
MAX. OUTSIDE DIA.	48"
MAX. WIDTH	13"

OPERATING AND MAINTENANCE INSTRUCTIONS

OPERATING INSTRUCTIONS

A. REMOVE KEEPERS.

Release keeper catch (34) and remove keepers (31) from arms. Place keepers in slots provided in keeper plate bracket (60) while loading coil.

B. COLLAPSE ARMS.

(1) Position spider so that one of the arms (28) is in a vertical (12:00 o'clock) position.

(2) Push locking pin (36) inward to prevent spider from rotating.

(3) Push inward thumb collar/plunger (55) & (53) and turn ratchet handle (17) to "Contract" and then release thumb collar/plunger.

(4) Move the ratchet handle in an up and down motion until the arms (28) are contracted to at least 1 to 2 inches smaller than the inside diameter of the coil to be loaded.

C. LOAD COIL.

(1) Load coil on coil hook using good safety practices (See Safety Bulletin SAR-103).

(2) Raise coil to proper height.

(3) Move Coil onto the arms.

D. ATTACH KEEPERS.

Snap keepers (32) into position on the arms so that the coil is

tight against the back portion of the arms.

E. EXPAND ARMS.

(1) Push inward thumb collar/plunger (55) & (53) and turn ratchet handle (17) to "Expand" position and then release thumb collar/plunger.

(2) Move ratchet handle in an up and down motion until the coil is held firmly by all four of the arms. Remove hook.

(3) Push inward thumb collar/plunger and turn ratchet handle to the "Neutral" position.

(4) Pull outward on locking pin (36) to release spider.

F. ADJUST CONFINING ARMS.

Place confining arms (2, 6, and 7) in proper position against the coil.

G. ADJUST SPIDER TENSION.

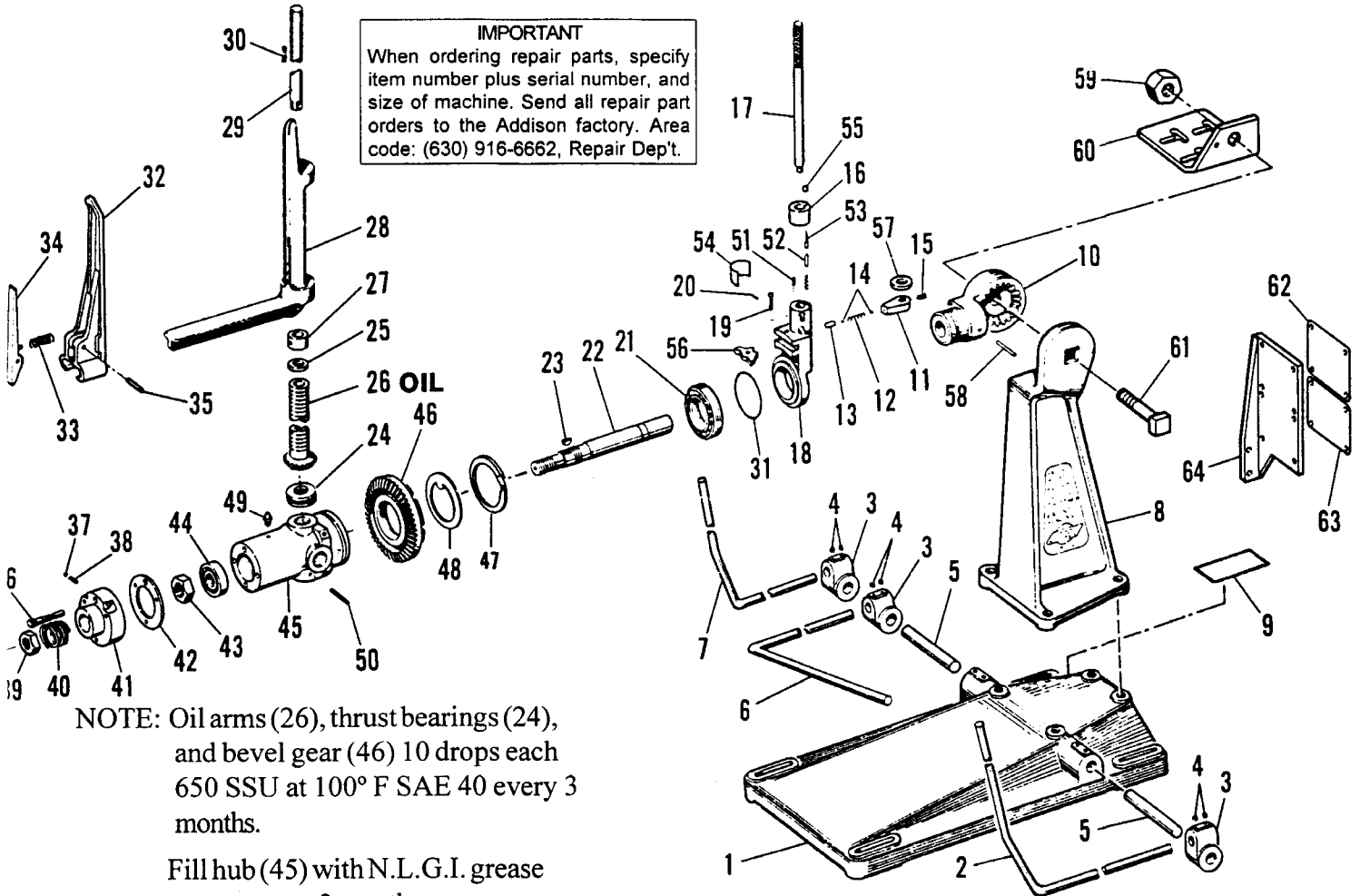
The friction cap (41) can be adjusted for desired tension on the spider by loosening or tightening jam nut (39).

MAINTENANCE INSTRUCTIONS

All Littell Reels are of a very rigid construction and, if the capacities are not exceeded, will give years of trouble-free service. The only maintenance required is the oiling at the points shown on the exploded view drawing.

LITTELL INTERNATIONAL, INC.

145 SWIFT ROAD, ADDISON, ILLINOIS 60101-1407, U.S.A.
AREA CODE: (630) 916-6662 LITTELL TELEFAX: (630) 916-6663
SERVICE DEPARTMENT TELEFAX: (630) 916-6664



IMPORTANT
When ordering repair parts, specify item number plus serial number, and size of machine. Send all repair part orders to the Addison factory. Area code: (630) 916-6662, Repair Dep't.

NOTE: Oil arms (26), thrust bearings (24), and bevel gear (46) 10 drops each 650 SSU at 100° F SAE 40 every 3 months.

Fill hub (45) with N.L.G.I. grease every 3 months.

PARTS LIST

ITEM NO.	DESCRIPTION
1	Base
2	Arm, Confining, R.H.
3	Knuckle
4	Button, Brass
5	Arm, Short Support
6	Arm, Confining, Lower
7	Arm, Confining, L.H.
8	Column, Base
9	Plate, Coil Capacity
10	Knuckle, Female
11	Latch, Ratchet Spring
12	Spring, Ratchet
13	Plunger, Detent
14	Ball, Steel, .25" Dia.
15	Screw, Set, .31" x .5" Lg.
16	Collar, Ratchet
17	Handle, Ratchet
18	Head, Ratchet
19	Pin, Clevis "DORMAN"
20	Pin, Cotter
21	Bearing, Roller "Timken" No. 432-438
22	Shaft, Spindle
23	Key, Woodruff
24	Bearing, Thrust "AETNA"

ITEM NO.	DESCRIPTION
25	Washer, Thrust
26	Screw and Pinion
27	Collar, 1.38" I.D. "HALLOWELL"
28	Arm, Reel
29	Arm, Straight
30	Key, Straight Arm
31	Ring, Retaining "WALDES" Tru-Arc No. 5100-350
32	Keeper
33	Spring, 1.50", "DANLY" No. 9-1206-11
34	Catch, Keeper
35	Pin, Roll, No. 59-048-250-1500
36	Pin, Locking
37	Ball, Detent, Steel .25" Dia.
38	Spring, Ball, Detent
39	Nut, Friction 1.25"-12
40	Spring, Friction
41	Cap, Friction
42	Washer, Friction
43	Nut, Bearing, Jam 1.50"-12
44	Bearing, Roller

ITEM NO.	DESCRIPTION
45	"TIMKEN" No. 2729-2788
46	Hub
47	Gear, Bevel
48	Ring, Retaining "SPIROLOX" No. 500
49	Washer, Thrust
50	Fitting, Straight Hyd. Drive Type "ALEMITE" No. 1743-B 59-062-312-2375
51	Pin, Dowel
52	Pin, Lock
53	Plunger
54	Plate, Name, Warning
55	Thumb, Collar
56	Pawl, Ratchet
57	Spacer
58	Pin, Roll
59	Nut, Hex., Full 1.125"-7
60	Bracket, Keeper Pate
61	Bot, Sq. Hd. Mach.
62	Plate, Caution Instruction
63	Plate, Caution Safety
64	Bracket, Caution Plates